

Repair Parts Manual

Manuel De Pièces De Rechange

YTH25K54 / 96048006100

Please read the operator's manual carefully and make sure you understand the instructions before using the machine.

Lisez très attentivement et soyez certain de comprendre ces instructions avant d'utiliser cette machine.



English/French



585 90 95-27

HOW TO USE THIS MANUAL

This manual is designed to provide the customer with a means to identify the parts on his/her tractor when ordering repair parts. The illustrations may or may not represent the actual assemblies; therefore, it is not recommended to use this manual as a guide to assemble or disassemble the tractor. Some hardware and parts are drawn larger in order to more readily identify them.

Each tractor has its own model number.

The model number for your tractor can be found on the fender under the seat.

When ordering parts, always give the following information:

- Product - "TRACTOR"
- MODEL NUMBER - "YTH25K54" (96048006100)
- Part Number
- Part Description

TABLE OF CONTENTS

SCHEMATIC	3
ELECTRICAL.....	4-5
CHASSIS	6-7
DRIVE.....	8-9
ENGINE.....	10-11
STEERING	12-13
MOWER DECK.....	14-15
MOWER LIFT.....	16
SEAT	17
DECALS.....	18

COMMENT UTILISER CE MANUEL

Ce manuel a été dessiné pour fournir le client avec les moyens d'identification des pièces de détachées du tracteur quand il/elle a besoin de commander les pièces de rechange. Les illustrations ne peuvent pas représenter exactement le modèle que vous avez acheté. N'utilisez pas ce manuel comme un guide dans le montage et/ou démontage de votre tracteur. La visserie montrée est plus grande pour faciliter l'identification.

Chaque tracteur a un numéro de modèle particulier.

Le numéro de modèle du produit se trouvera sur l'aile, dessous le siège.

Lorsque vous commandez des pièces de rechange, donnez toujours les renseignements suivants:

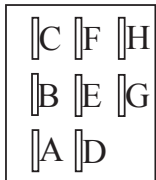
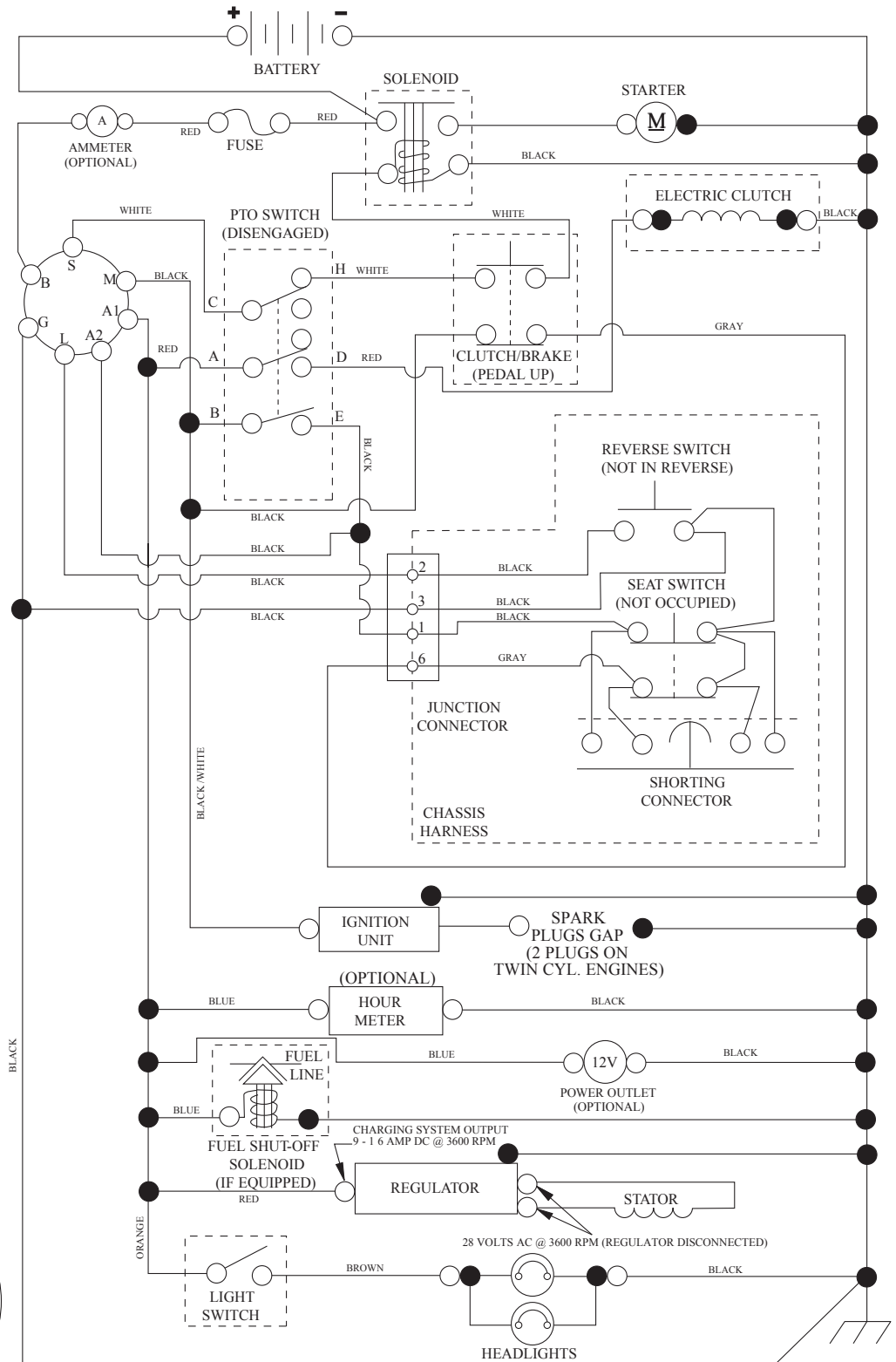
- Produit - "TRACTEUR"
- NUMÉRO DU MODÈLE - "YTH25K54" (96048006100)
- Numéro de la Pièce
- Description de la Pièce

TABLE DE MATIERES

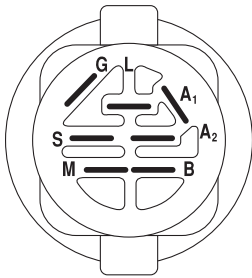
SCHÉMA	19
ELECTRIQUE	20-21
CHÂSSIS/ENCEINTES.....	22-23
ENTRAÎNEMENT	24-25
MOTEUR.....	26-27
ENSEMBLE DE LA DIRECTION.....	28-29
CARTER DE TONDEUSE.....	30-31
LEVAGE DE LA TONDEUSE.....	32
ENSEMBLE DU SIÈGE	33
DECALCOMANIES.....	34

TRACTOR - MODEL NO. YTH25K54 (96048006100), PRODUCT NO. 960 48 00-61 SCHEMATIC

SCH12

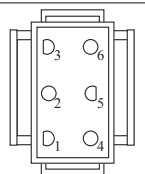


PTO SWITCH
(MATING SIDE)

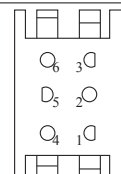


IGNITION SWITCH

POSITION	CIRCUIT	"MAKE"
OFF	M+G+A1	
RUN/OVERRIDE	B+A1	
RUN	B+A1	L+A2
START	B + S + A1	



CHASSIS HARNESS
CONNECTOR
(MATING SIDE)



DASH HARNESS
CONNECTOR

WIRING INSULATED CLIPS
NOTE: IF WIRING INSULATED
CLIPS WERE REMOVED FOR
SERVICING OF UNIT, THEY
SHOULD BE RE-INSTALLED TO
PROPERLY SECURE YOUR
WIRING.



NON-REMOVABLE
CONNECTIONS



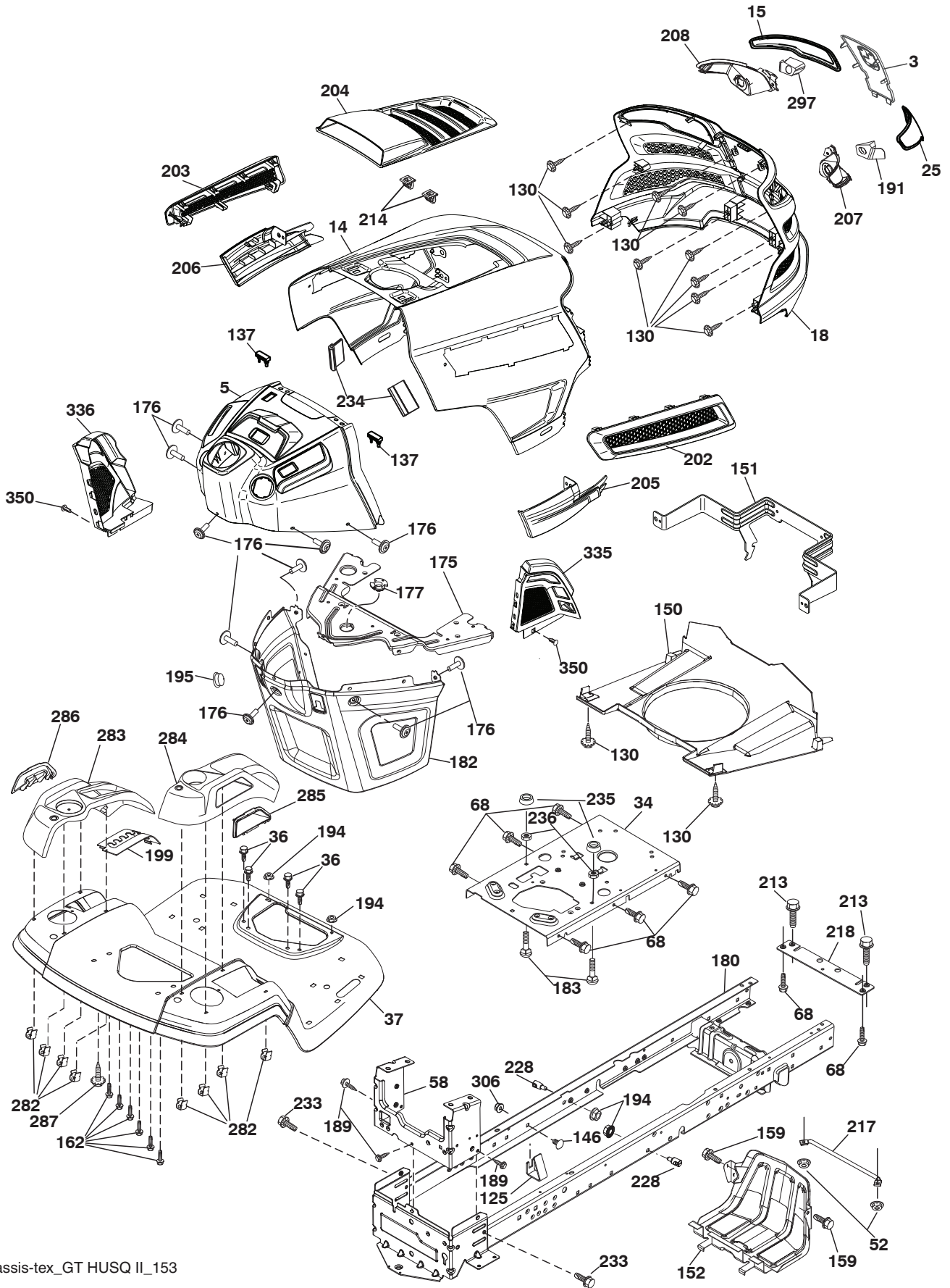
REMOVABLE
CONNECTIONS

**TRACTOR - MODEL NO. YTH25K54 (96048006100), PRODUCT NO. 960 48 00-61
ELECTRICAL**

KEY NO.	PART NO.	DESCRIPTION
1	532 16 34-65	Battery
2	874 76 04-12	Bolt Hex Hd 1/4-20 unc x 3/4
8	532 19 32-28	Battery Box
16	532 17 61-38	Switch Interlock
21	532 40 02-52	Harness Socket Light w/4152J
22	532 00 41-52	Bulb, Light # 1156
25	581 49 80-01	Cable Starter
26	532 17 51-58	Fuse
27	873 51 04-00	Nut Keps Hex 1/4-20 unc
28	532 42 16-86	Cable Ground
29	532 40 15-45	Switch Seat
30	532 19 33-50	Switch Ign
33	532 41 19-35	Key / Chain
34	532 11 07-12	Switch Light/Reset
40	581 02 32-01	Harness Ign. Dash
43	532 19 25-07	Solenoid
46	532 40 17-63	Gauge Hourmeter
50	532 17 46-51	Switch PTO
55	817 06 05-12	Screw Thdrol 5/16-18 x 3/4
71	581 02 30-01	Harness Ign Chassis
79	532 17 52-42	Socket Asm Bulb Twistlock
90	532 43 53-95	Cover Terminal Battery
99	817 67 04-12	Screw Hexwsh Thdrol 1/4-20 x 3/4
102	532 40 44-54	Harness Pigtail K46 Tex ROS
105	532 40 75-68	Switch Reverse Tufftorq Pedal
106	532 17 48-14	Palnut 1/4 Lugs

NOTE: All component dimensions given in U.S. inches
1 inch = 25.4 mm

TRACTOR - MODEL NO. YTH25K54 (96048006100), PRODUCT NO. 960 48 00-61
CHASSIS



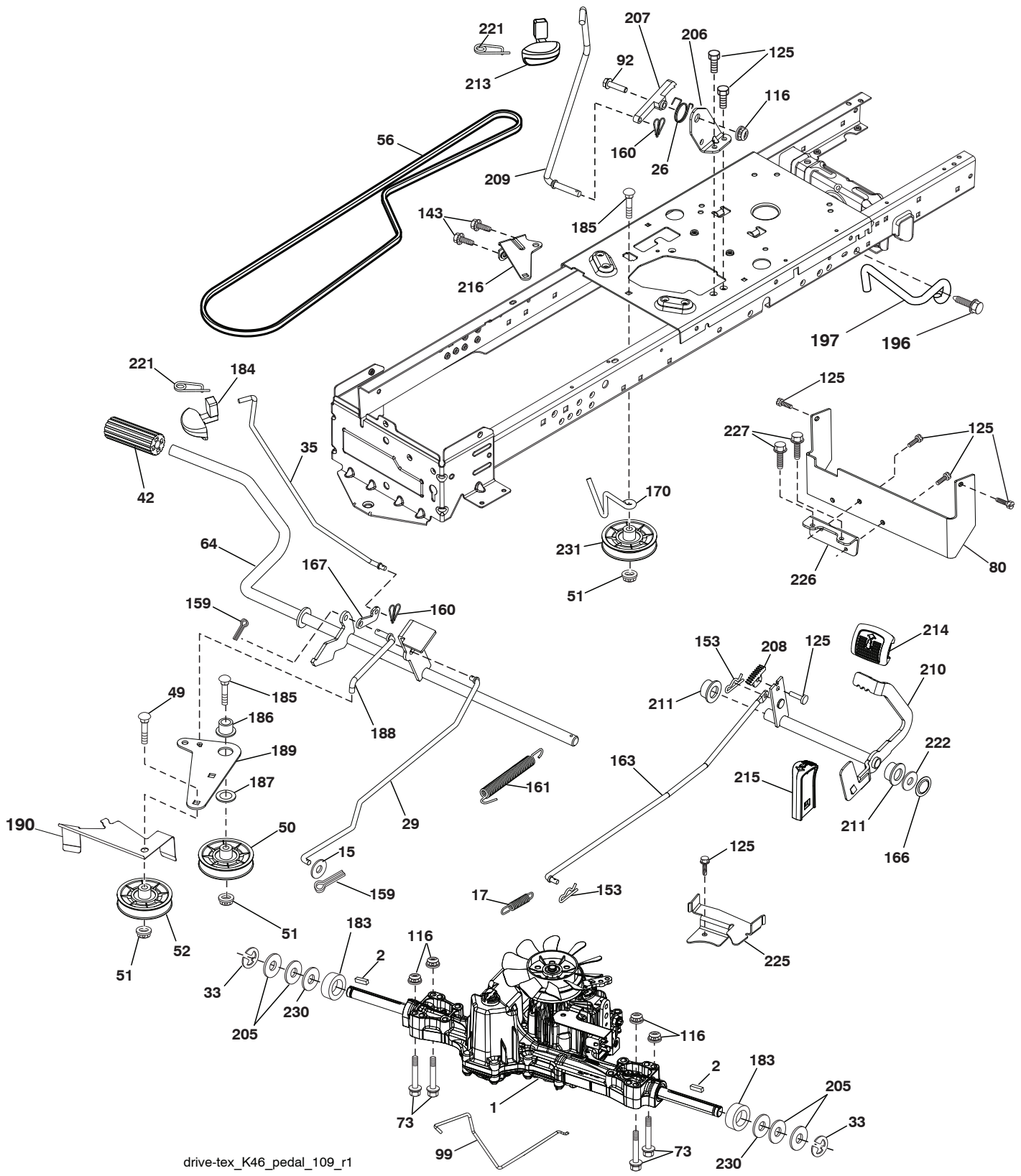
chassis-tex_GT HUSQ II_153

**TRACTOR - MODEL NO. YTH25K54 (96048006100), PRODUCT NO. 960 48 00-61
CHASSIS**

KEY NO.	PART NO.	DESCRIPTION	KEY NO.	PART NO.	DESCRIPTION
3	532 44 44-81	Applique	203	532 43 97-27	Vent Side Hood LH
5	532 43 74-80	Dash Asm	204	532 44 44-84	Vent Hood Top
14	532 44 11-77	Hood	205	532 43 97-30	Skirt Hood Side RH
15	532 43 97-33	Lens LH	206	532 43 97-29	Skirt Hood Side LH
18	532 44 06-53	Grille	207	532 43 97-34	Bezel RH
25	532 44 33-85	Lens RH	208	532 43 97-35	Bezel LH
34	580 91 08-01	Plate Engine	213	874 76 05-12	Bolt Hex Hd 5/16-18 unc x 3/4
36	817 06 05-12	Screw 5/16-18 x 3/4	214	532 19 91-45	Clip Retainer
37	532 44 12-66	Fender	217	532 40 91-67	Rod Pivot
52	873 68 05-00	Nut Lock 5/16-18	218	532 19 63-95	Hood Stop
58	532 41 22-80	Drawbar, Upper	228	532 19 51-61	Stud Fastner
68	817 49 05-08	Screw 5/16-18 x 1/2	233	532 19 65-39	Bolt Shoulder
125	581 68 48-01	Clip Fuel Line	234	532 40 47-42	Bumper Hood
130	532 41 63-58	Screw #10 x 0.750	235	532 40 61-29	Spacer Fender
137	532 40 75-90	Bumper Dash	236	873 93 05-00	Nut Lock 5/16-18 unc
146	581 85 79-01	Bolt	282	532 41 41-10	Clip
150	532 43 97-74	Duct Heat Hood	283	532 43 98-61	Console Deck Lift
151	532 43 66-70	Bracket Pivot Hood	284	532 43 98-23	Console Control PDL
152	532 43 98-70	Shield Browning/Debris	285	532 41 63-15	Console Insert RH
159	817 00 06-12	Screw 3/8-16 x 3/4	286	532 41 63-17	Console Insert LH
162	532 14 24-32	Screw Hex Wsh Hi-Lo 1/4 x 1/2	287	817 60 04-06	Screw Hex Washhead 1/4-20 x 3/8
175	532 19 63-04	Crossmember	297	532 43 74-56	Insert Reflective LH
176	532 40 07-76	Screw 10-24 x 5/8 Rnd Qdrx	306	873 90 06-00	Nut Lock
177	532 19 52-27	Bushing Steering	335	532 44 82-04	Cover Lower Dash RH
180	532 41 50-63	Chassis	336	532 44 53-09	Cover Lower Dash LH
182	532 40 68-59	Dash Lower	350	532 44 51-43	Clip
183	874 52 05-20	Bolt 5/16-18 x 1-1/4 Full Thd.	- -	532 40 09-44	Kit Bumper
189	817 00 05-12	Screw 5/16-18 x 3/4			
191	532 43 74-55	Insert Reflective RH			
194	873 90 05-00	Nut Lock Hex Flange 5/16-18			
195	532 40 41-37	Plug Hold Dash Lower			
199	532 41 34-85	Plate Deck Lift			
202	532 43 97-28	Vent Side Hood RH			

NOTE: All component dimensions given in U.S. inches
1 inch = 25.4 mm

**TRACTOR - MODEL NO. YTH25K54 (96048006100), PRODUCT NO. 960 48 00-61
DRIVE**



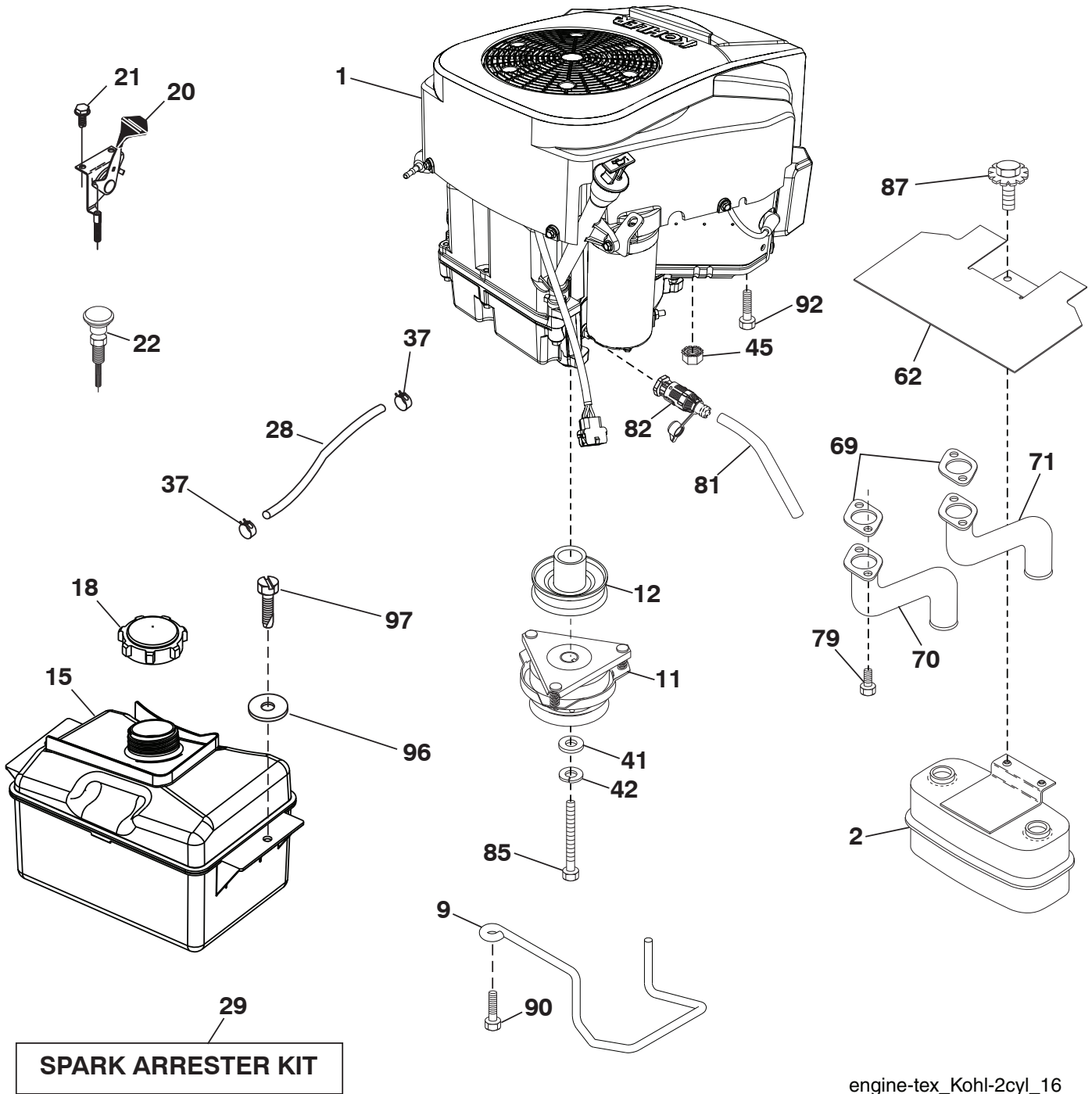
drive-tex_K46_pedal_109_r1

**TRACTOR - MODEL NO. YTH25K54 (96048006100), PRODUCT NO. 960 48 00-61
DRIVE**

KEY NO.	PART NO.	DESCRIPTION	KEY NO.	PART NO.	DESCRIPTION
1	---	Transaxle, TUFFTORQ K46BT (426120) (Order parts from trans-axle manufacturer.)	183	532 13 70-57	Spacer Split
2	532 12 35-83	Key	184	532 44 14-55	Handle Parking Brake
15	819 13 13-16	Washer 13/32 x 13/16 x 16 Ga.	185	872 11 06-22	Bolt 3/8 - 16 x 2-3/4 Gr. 5
17	532 41 36-78	Spring, Brake	186	532 19 43-21	Spacer Retainer
26	532 19 96-79	Spring Return Cruise	187	819 13 32-10	Washer
29	532 40 38-06	Rod, Brake	188	532 19 43-23	Link Clutch Ground Drive
33	812 00 00-01	Ring E	189	532 19 43-17	Bellcrank Ground Drive
35	583 86 45-01	Rod, Brake, Park	190	532 19 43-18	Keeper Bellcrank Ground Drive
42	532 12 48-72	Cover, Foot Pedal	196	817 00 06-16	Screw 3/8-16 x 1
49	872 11 06-14	Bolt	197	532 19 58-04	Bracket Clutch Anti-Rotation
50	532 19 43-27	Pulley Idler Flat	205	532 12 17-48	Washer
51	873 90 06-00	Lock Nut 3/8-16	206	532 44 85-96	Bracket Mount Latch Cruise
52	532 19 43-26	Idler V-Groove	207	532 19 78-68	Latch Control Cruise
56	532 13 09-69	V-Belt, Drive	208	532 19 78-69	Gear Sector Control Cruise
64	532 19 78-65	Shaft Asm. Pedal Brake Control	209	532 19 95-92	Rod Control Cruise
73	574 49 05-40	Bolt 5/16-18 x 2-1/2 Gr. 5	210	532 40 09-80	Rocker Asm. Pedal Control
80	532 44 06-19	Strap Torque	211	532 12 01-83	Bearing Nylon
92	874 76 05-20	Bolt Fin Hex 5/16-18 unc x 1.25	213	532 40 31-19	Knob Control Cruise
99	532 41 57-42	Spring Rod Bypass	214	532 42 12-63	Pedal Forward
116	873 90 05-00	Nut Lock Hex Flange 5/16-18	215	532 40 17-23	Pedal Reverse
125	817 00 05-12	Screw 5/16-18 x 3/4	216	532 19 61-31	Bracket Pulley Idler
143	817 49 05-08	Screw Thdrol 5/16-18 x 1/2	221	532 40 31-87	Retainer Spring Clip Handle
153	532 12 47-88	Retainer Spring	222	879 21 20-10	Washer 21/32 x 1-1/4 x 10 Ga.
159	876 02 04-12	Pin Cotter 1/8 x 3/4	225	532 40 33-19	Keeper Belt Trans.
160	532 16 94-84	Retainer Clip	226	532 40 15-64	Bracket Mount Touque
161	532 10 57-09	Spring, Return, Clutch	227	817 49 05-12	Screw Thdrol 5/16-18 x 3/4
163	532 44 82-75	Rod Pedal Control	230	532 18 89-67	Washer
166	532 42 91-64	Nut Push .625	231	532 40 72-87	Idler V-Groove Pulley
167	532 40 52-57	Latch Brake Parking			
170	532 41 34-30	Keeper Belt Centerspan			

NOTE: All component dimensions given in U.S. inches
1 inch = 25.4 mm

**TRACTOR - MODEL NO. YTH25K54 (96048006100), PRODUCT NO. 960 48 00-61
ENGINE**



engine-tex_Kohl-2cyl_16

**TRACTOR - MODEL NO. YTH25K54 (96048006100), PRODUCT NO. 960 48 00-61
ENGINE**

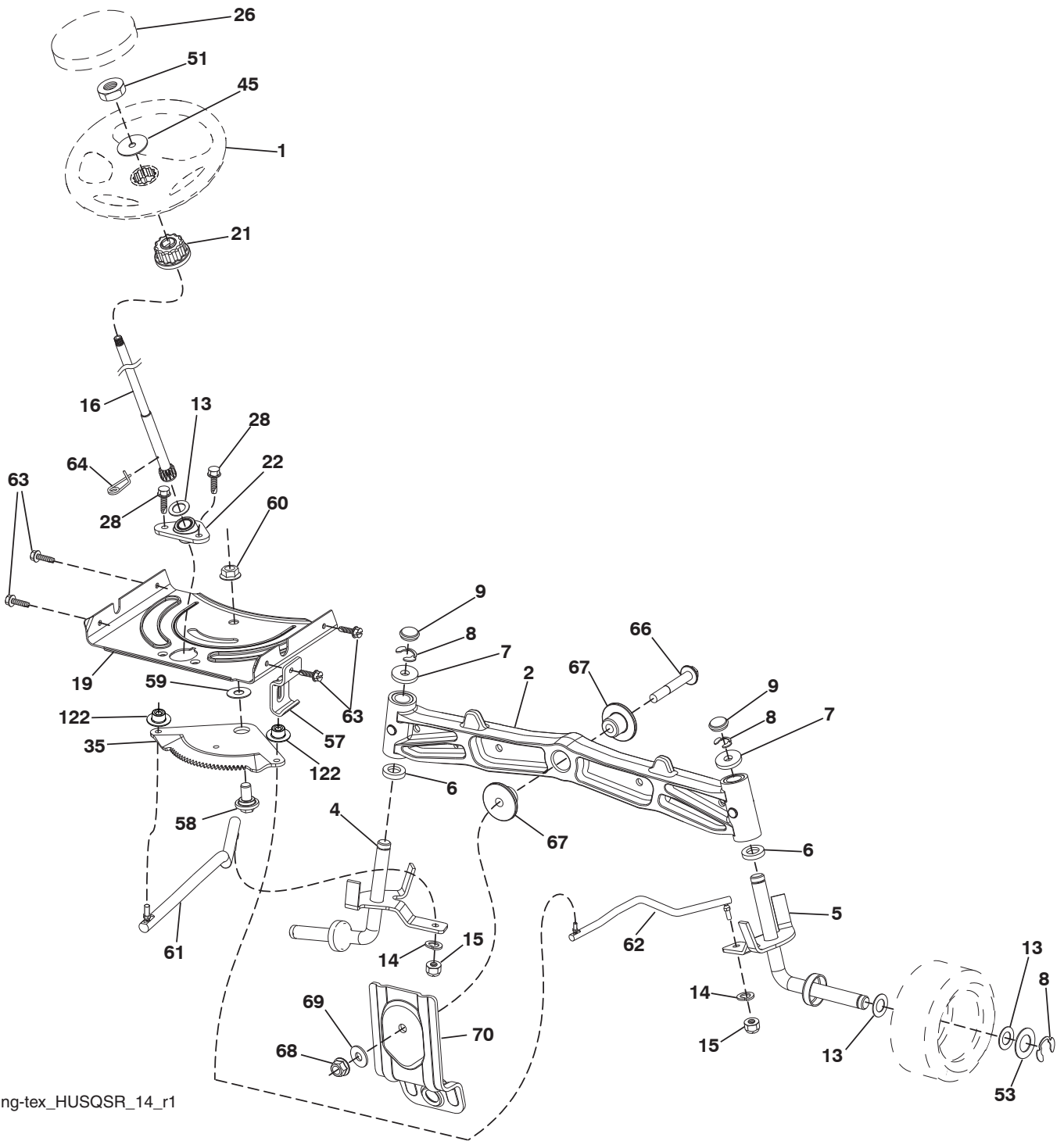
KEY NO.	PART NO.	DESCRIPTION
1	-----	Engine Kohl Model No. KT740-3014 (585445901) (Order parts from engine manufacturer.)
2	532 44 59-62	Muffler
9	584 90 80-01	Keeper Belt Engine
11	532 40 00-08	Clutch Electric
12	532 40 50-97	Pulley Engine
15	581 29 01-01	Tank Fuel
18	532 43 02-20	Cap Asm
20	532 18 29-37	Control Throttle
21	532 41 63-58	Screw #10 x 0.750 BOS Thread
22	532 19 15-96	Control Choke
28	532 40 11-35	Fuel Line
29	532 13 71-80	Spark Arrester Kit
37	532 12 34-87	Clamp Hose
41	532 12 61-97	Washer 1-1/2 OD x 15/32 ID x .250
42	810 04 07-00	Washer Lock 7/16
45	873 51 04-00	Nut Keps Hex 1/4-20 unc
62	532 43 40-17	Shield Heat Muffler
69	532 18 60-54	Gasket
70	583 95 45-01	Tube Exhaust LH
71	583 95 48-01	Tube Exhaust RH
79	532 19 23-34	Screw Socket Head 5/16-18 x .75
81	532 14 84-56	Tube Drain Oil Easy
82	532 42 82-87	Drain Oil Valve
85	532 17 39-37	Bolt Hex 7/16-20 x 4 Cat. 5-1 THR.
87	532 17 18-77	Bolt 5/16-18 x 3/4
90	817 00 06-16	Screw 3/8-16 x 1
92	817 12 06-16	Screw 3/8-16 x 1 SMGML Tap
96	819 09 14-16	Washer 9/32 x 7/8 x 16 Ga.
97	817 67 04-12	Screw Hexwsh Thdrol 1/4-20 x 3/4

NOTE: All component dimensions given in U.S. inches
1 inch = 25.4 mm

For engine service and replacement parts, call the toll free number for your engine manufacturer listed below:

Kohler Co. 1-800-544-2444

TRACTOR - MODEL NO. YTH25K54 (96048006100), PRODUCT NO. 960 48 00-61
STEERING ASSEMBLY



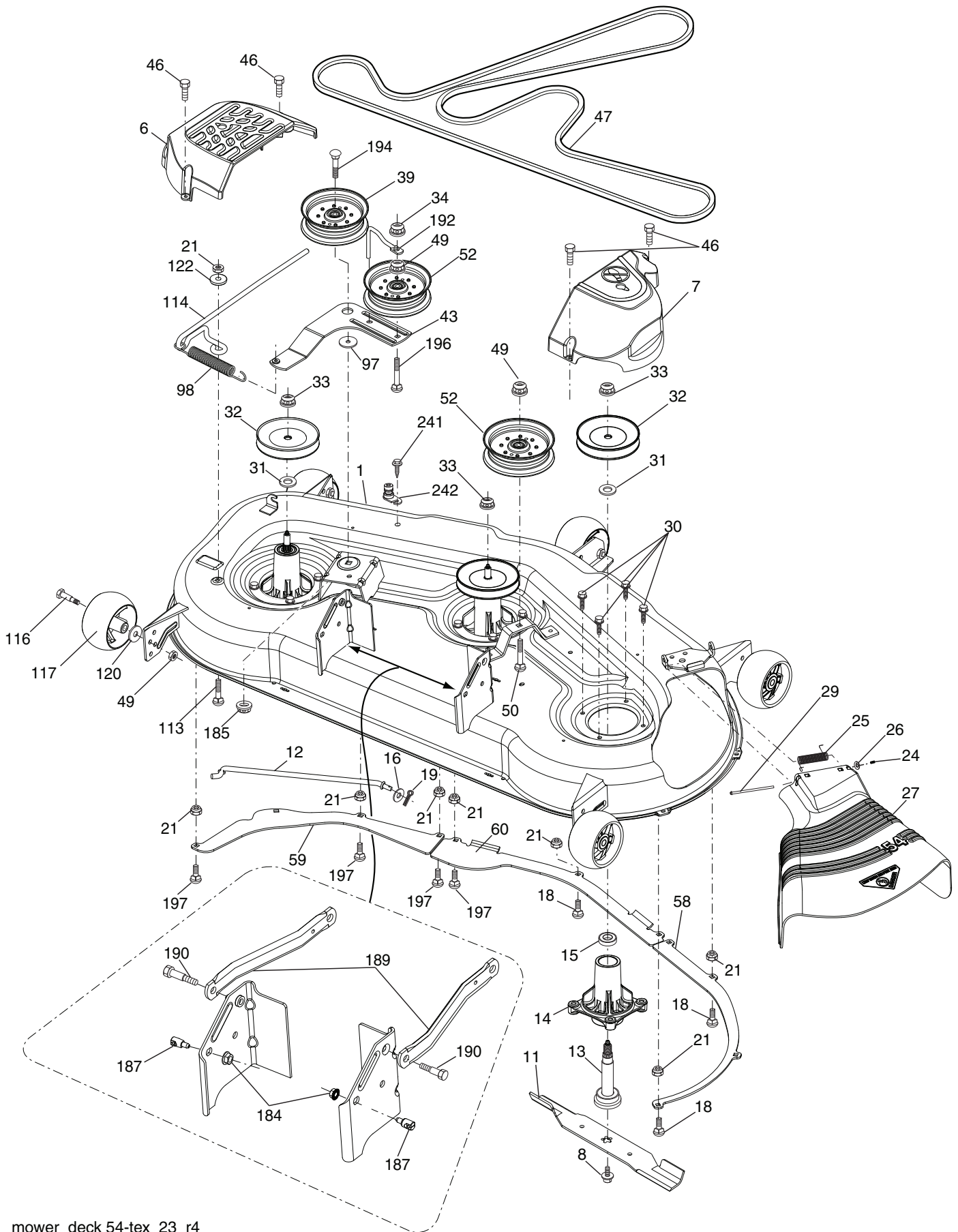
steering-tex_HUSQSR_14_r1

**TRACTOR - MODEL NO. YTH25K54 (96048006100), PRODUCT NO. 960 48 00-61
STEERING ASSEMBLY**

KEY NO.	PART NO.	DESCRIPTION
1	532 43 97-40	Wheel, Steering
2	532 19 59-68	Axle Asm., Front
4	532 40 30-87	Spindle Asm., LH
5	532 40 30-88	Spindle Asm., RH
6	532 12 49-31	Bearing, Race Thrust Harden
7	532 12 17-48	Washer 25/32 x 1-5/8 x 16 Ga.
8	812 00 00-29	Ring, Klip #T5304-75
9	532 12 12-32	Cap, Spindle
13	532 12 17-49	Washer 25/32 x 1-1/4 x 16 Ga.
14	810 04 06-00	Washer, Lock Hvy Hlcl Spr 3/8
15	873 54 06-00	Nut, Crown Lock 3/8-24 unf
16	532 40 82-19	Shaft Steering
19	532 19 47-29	Plate Steering
21	532 18 67-37	Adapter, Wheel Steering
22	532 42 05-37	Strg. Supt. lower
26	532 43 97-43	Insert, Wheel Steering
28	817 00 06-12	Screw 3/8-16 x 3/4
35	532 19 47-32	Gear, Sector Plate
45	819 18 38-12	Washer 9/16 x 2-3/8 x 12 Ga.
51	873 94 08-00	Nut Hex Jam Toplock 1/2-20 unf
53	532 18 89-67	WasherHardened.793x1.637x.060
57	532 19 72-46	Bracket Upstop
58	532 19 47-47	Bolt Shoulder Sector Pivot CFM
59	532 19 47-48	Washer Thrust Sector Steering
60	873 97 10-00	Nut Flange Lock 5/8-11
61	532 19 47-40	Draglink LH
62	532 19 47-41	Draglink, RH
63	817 00 05-12	Screw 5/16-18 x 3/4
64	532 19 98-49	Retainer Clip Spring Steering
66	871 02 07-48	Bolt Hex Fghd 7/16-14 x 3 Serr
67	532 19 47-37	Bushing PM Front Axle
68	873 90 07-00	Nut Lock Flange 7/16-14 Gr. 5
69	532 19 91-62	Washer 1.5 x .505 x .118
70	532 19 61-97	Bracket Deck Susp. Front
122	532 44 49-62	Cap Gear Sector

NOTE: All component dimensions given in U.S. inches
1 inch = 25.4 mm

**TRACTOR - MODEL NO. YTH25K54 (96048006100), PRODUCT NO. 960 48 00-61
MOWER DECK**



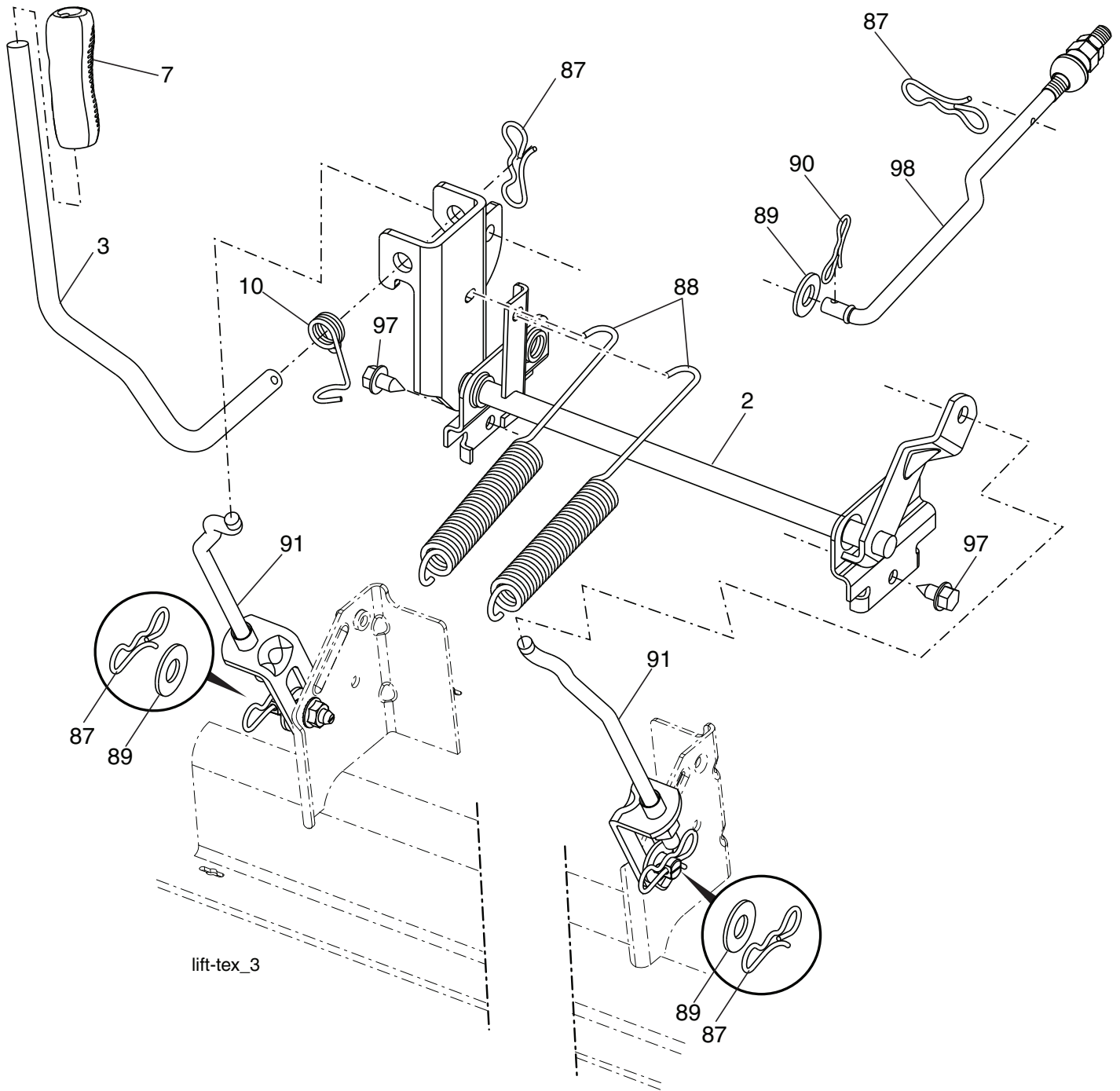
mower_deck 54-tex_23_r4

**TRACTOR - MODEL NO. YTH25K54 (96048006100), PRODUCT NO. 960 48 00-61
MOWER DECK**

KEY NO.	PART NO.	DESCRIPTION	KEY NO.	PART NO.	DESCRIPTION
1	532 44 50-61	Deck Weldment Mower	60	532 18 76-07	Baffle Center
6	532 19 60-66	Cover Mandrel LH	97	532 17 85-15	Washer Hardened
7	532 19 71-81	Cover Mandrel RH	98	532 19 61-05	Spring Drive
8	532 19 30-03	Bolt 7/16 Asm. Blade	113	872 11 05-08	Bolt Rdhd Sqnk 5/16-18 x 3/4
11	532 18 72-56	Blade Bagging	114	532 18 75-56	Rod Tension Relief
- -	532 18 72-55	Blade Mulching	116	532 19 34-06	Bolt, Shoulder
12	532 40 48-51	Rod Anti Sway	117	532 17 48-73	Gauge Wheel
13	532 18 72-91	Shaft Asm. w/Lower Bearing	120	819 13 20-12	Washer 13/32 x 1-1/4 x 12 Ga.
14	532 18 72-81	Housing, Mandrel	122	532 18 75-57	Bushing Tension Relief
16	819 13 13-12	Washer 3/8	184	873 90 05-00	Nut Lock Hex Flange 5/16-18
15	532 11 04-85	Bearing, Ball, Mandrel	185	873 90 07-00	Nut Lock Flange 7/16-14 Gr. 5
18	872 14 05-05	Bolt Carriage 5/16-18 x 5/8	187	532 19 51-61	Stud Fastener w/"D" Anti-Rotation
19	532 19 42-08	Pin Cotter 5/16 Bowtie	189	532 19 51-85	Arm Susp. Mower Rear
21	873 68 05-00	Nut, Crownlock 5/16-18 unc	190	532 19 65-39	Bolt Shoulder
24	532 10 53-04	Cap Sleeve	192	532 19 84-68	Keeper Belt Idler
25	532 17 81-02	Spring, Torsion	194	874 49 07-36	Bolt Carr Sqnk 7/16-24 x 2
26	532 11 04-52	Nut, Push	196	872 14 06-20	Bolt Rdhd 3/8-16 x 2-1/2 Gr. 5
27	532 18 89-38	Deflector Shield	197	872 14 05-08	Bolt Rdhd Sqnk 5/16-18 unc x 1
29	532 13 14-91	Rod, Hinge	241	532 15 29-27	Screw TT #10-32.5. 3/8 Flange
30	532 17 39-84	Screw, Thdroll Washer Head	242	532 41 55-98	Port Washout
31	532 18 76-90	Washer, Spacer Mower Vented	- -	532 41 64-05	Coupling
32	532 15 35-35	Pulley, Mandrel	- -	532 18 72-92	Mandrel Assembly (Includes housing (key#14), shaft assembly (key#13), and bearing only (key#15) and nut (key#33) - pulley/washer and blade bolt/washers not included)
33	532 40 02-34	Nut, Flg. Top Lock			
34	873 68 06-00	Nut Crownlock 3/8-16 unc			
39	532 19 73-80	Pulley, Idler, 4.50			
43	532 19 60-65	Arm, Idler			
46	532 13 77-29	Screw, Thdroll. 1/4-20 x 5/8			
47	532 19 61-03	Belt Deck Drive	- -	532 41 82-29	Replacement Mower, Complete
49	873 90 06-00	Nut, Lock Flg. 3/8-16 unc			
50	872 11 06-16	Bolt Rdhd Sqnk 3/8-16 unc x 2			
52	532 19 73-79	Pulley Idler			
58	532 18 73-42	Baffle Right			
59	532 18 73-44	Baffle Left			

NOTE: All component dimensions given in U.S. inches
1 inch = 25.4 mm

**TRACTOR - MODEL NO. YTH25K54 (96048006100), PRODUCT NO. 960 48 00-61
MOWER LIFT**

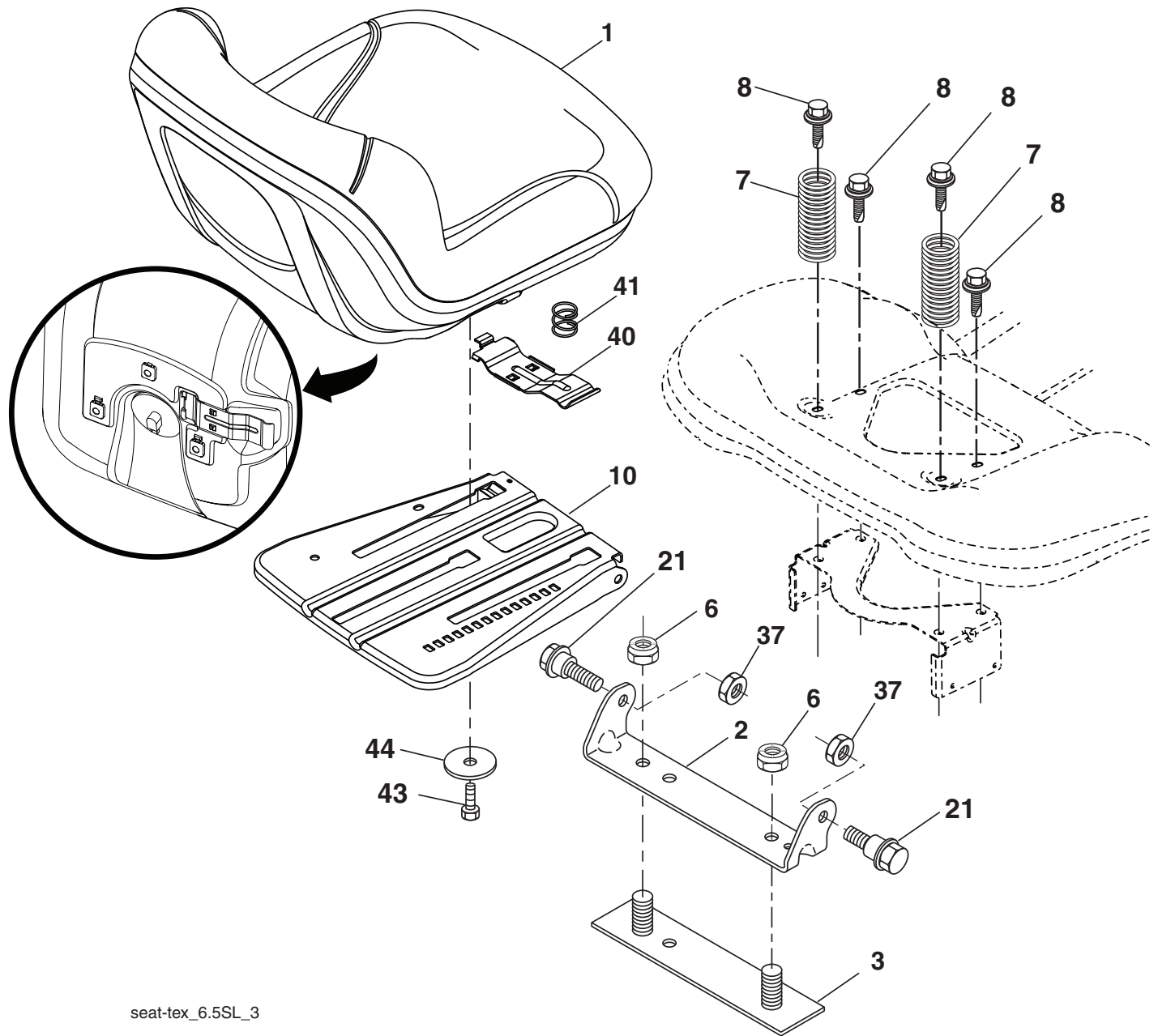


KEY PART NO.	PART NO.	DESCRIPTION
2	532 42 20-27	Shaft Asm., Lift
3	532 19 52-31	Lever Asm., Lift RH
7	580 96 23-01	Grip, Lever
10	532 19 63-14	Spring Torsion
87	532 19 42-09	Pin Cotter 7/16 Bow Tie Lock
88	532 41 07-10	Spring Lift Assist
89	819 19 19-12	Washer Clear Zinc

KEY PART NO.	PART NO.	DESCRIPTION
90	532 19 42-08	Pin Cotter 5/16 Bow Tie Lock
91	532 40 34-07	Link Lift Susp Mower Rear
97	817 00 06-12	Screw 3/8-16 x 3/4
98	532 19 52-64	Link Lift Susp. Front Mower

NOTE: All component dimensions given in U.S. inches
1 inch = 25.4 mm

**TRACTOR - MODEL NO. YTH25K54 (96048006100), PRODUCT NO. 960 48 00-61
SEAT ASSEMBLY**



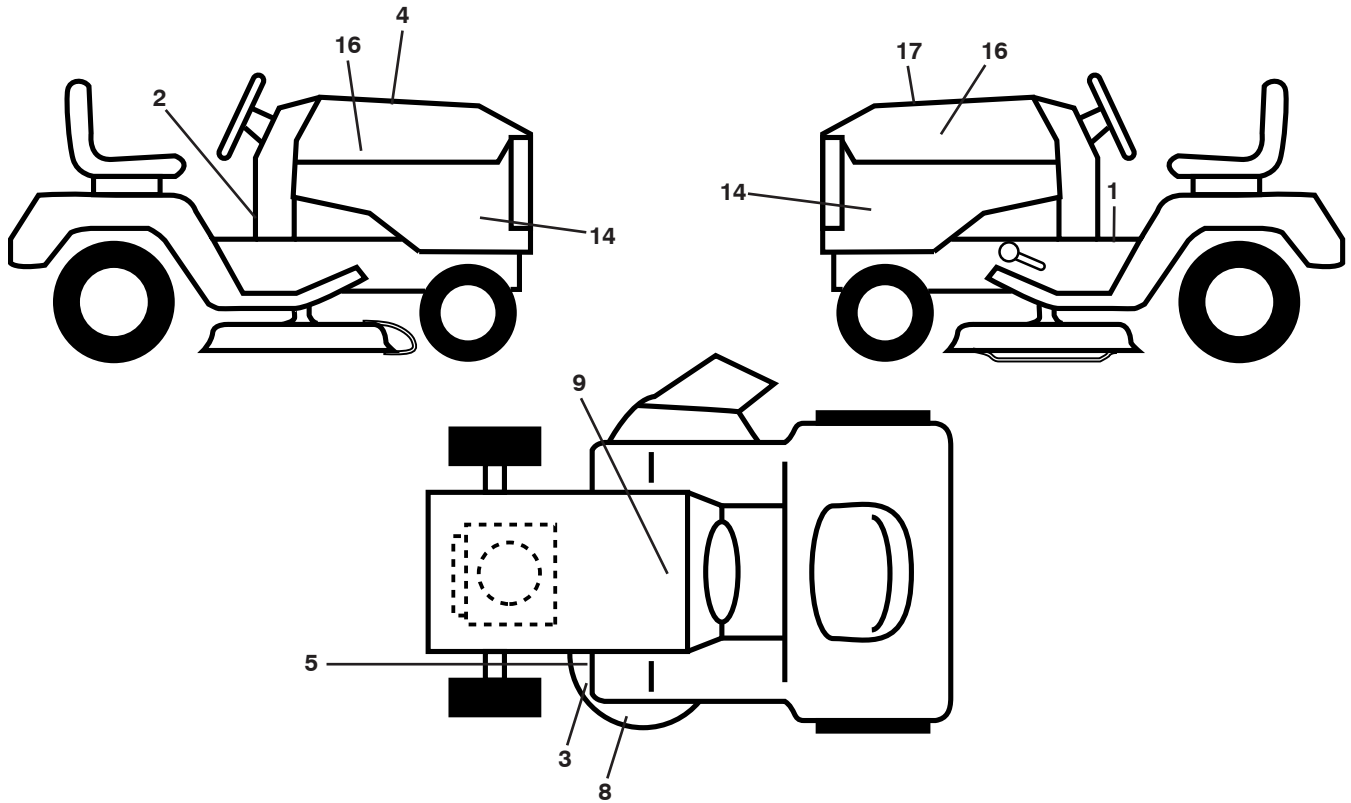
seat-tex_6.5SL_3

KEY NO.	PART NO.	DESCRIPTION
1	532 43 98-22	Seat
2	532 18 01-66	Bracket Pivot Fender
3	532 14 06-75	Strap, Asm Fender
6	873 80 06-00	Nut, Lock w/Ins. 3/8-16 unc
7	532 12 41-81	Spring, Seat Cprsn
8	532 17 18-77	Bolt 5/16-18 unc x 3/4 w/Sems
10	532 19 69-77	Pan, Seat
21	532 17 18-52	Bolt, Shoulder 5/16-18

KEY NO.	PART NO.	DESCRIPTION
37	873 80 05-00	Nut, Lock 5/16-18 unc
40	532 19 76-61	Handle Slide Seat
41	532 19 82-00	Spring Latch Seat
43	874 76 06-12	Bolt 3/8-16 x 3/4
44	819 13 38-12	Washer 13/32 x 2-3/8 x 12 Ga.

NOTE: All component dimensions given in U.S. inches
1 inch = 25.4 mm

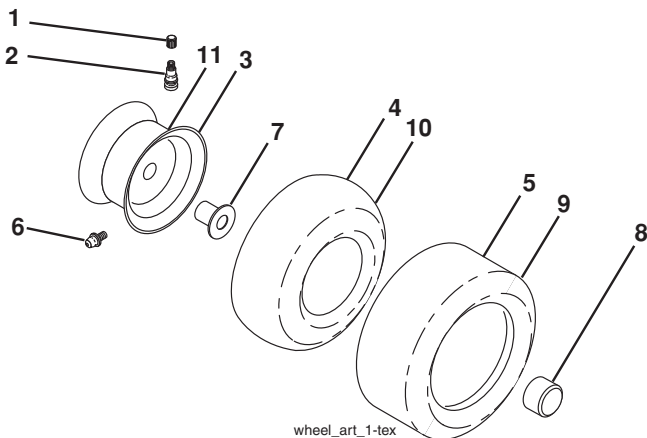
**TRACTOR - MODEL NO. YTH25K54 (96048006100), PRODUCT NO. 960 48 00-61
DECALS**



KEY PART NO.	PART NO.	DESCRIPTION
1	581 57 90-01	Decal, Fender Warning
2	581 57 99-01	Decal, Warning
3	581 57 95-01	Decal, Warning Keep Hands Away
4	532 42 38-29	Decal, Hood Cust Resp
5	581 72 45-02	Decal, Caution
8	581 58 00-02	Decal, Mower Sch.
9	532 14 50-05	Decal, Battery Dnge/Poi
14	532 44 57-18	Decal, Panel Side
16	581 62 73-01	Decal, Hood Logo

KEY PART NO.	PART NO.	DESCRIPTION
17	585 79 56-01	Decal, Replacement
--	581 72 48-01	Decal, Bypass
--	585 71 44-02	Decal, Pop Armor Protected Deck
--	532 43 96-81	Pad, Footrest, LH
--	532 43 96-82	Pad, Footrest, RH
--	585 90 94-32	Manual, Operator's (English/French)
--	585 90 95-27	Manual, Parts (English/French)

WHEELS AND TIRES



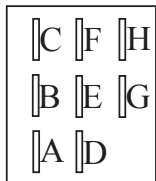
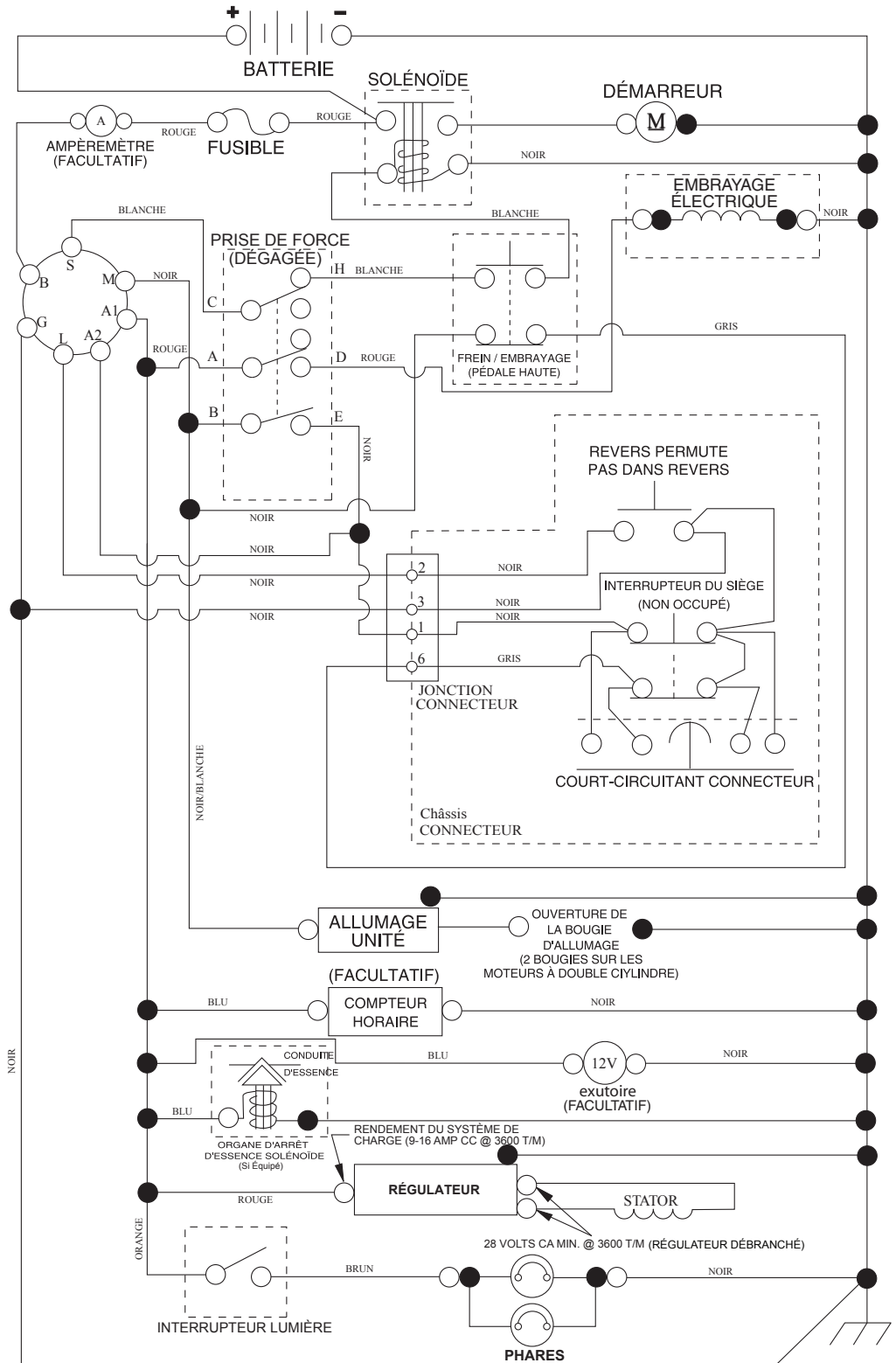
KEY PART NO.	PART NO.	DESCRIPTION
1	532 05 91-92	Cap, Valve, Tire
2	532 06 51-39	Stem, Valve
3	532 13 83-36	Rim Assembly, Front
4	532 05 99-04	Tube, Front (Service Item Only)
5	532 10 62-22	Tire, Front 15 x 6-6
6	532 12 49-57	Fitting, Grease (Front Wheel Only)
7	532 12 49-59	Bearing, Flange (Front Wheel Only)
8	532 17 50-39	Cap, Axle
9	532 13 84-68	Tire, Rear 20 X 8-8
10	532 12 49-26	Tube, Rear (Service Item Only)
11	532 13 83-37	Rim Assembly, Rear
--	532 14 43-34	Sealant, Tire (10 oz. Tube)

NOTE: All component dimensions given in U.S. inches
1 inch = 25.4 mm

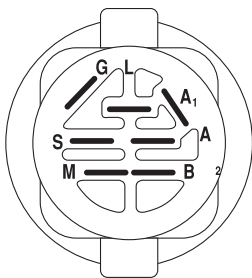
TRACTEUR - NO. DE MODÈLE YTH25K54 (96048006100), NO. DE PRODUIT 960 48 00-61

SCHEMA

SCH12-F

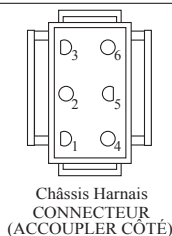


PRISE DE FORCE
INTERRUPTEUR
(ACCOUPLER CÔTÉ)



CONTACTEUR D'ALLUMAGE

POSITION	CIRCUIT "FAITS"
ARRÊT	M + G + A1
MARCHE/ ALLUMAGE	B + A1
MARCHE	B + A1 L+A2
DÉMARRAGE	B + S + A1



Châssis Harnais
CONNECTEUR
(ACCOUPLER CÔTÉ)

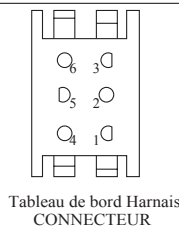


Tableau de bord Harnais
CONNECTEUR

PINCES ISOLÉES

REMARQUE: SI LES PINCES ISOLÉES ONT ÉTÉ ENLEVÉES POUR L'ENTRETIEN DU MODÈLE, ELLES DOIVENT ÊTRE REMISES EN PLACE POUR ASSURER LE BON FONCTIONNEMENT DU CÂBLAGE.

CONNECTEURS
NON-AMOVIBLES

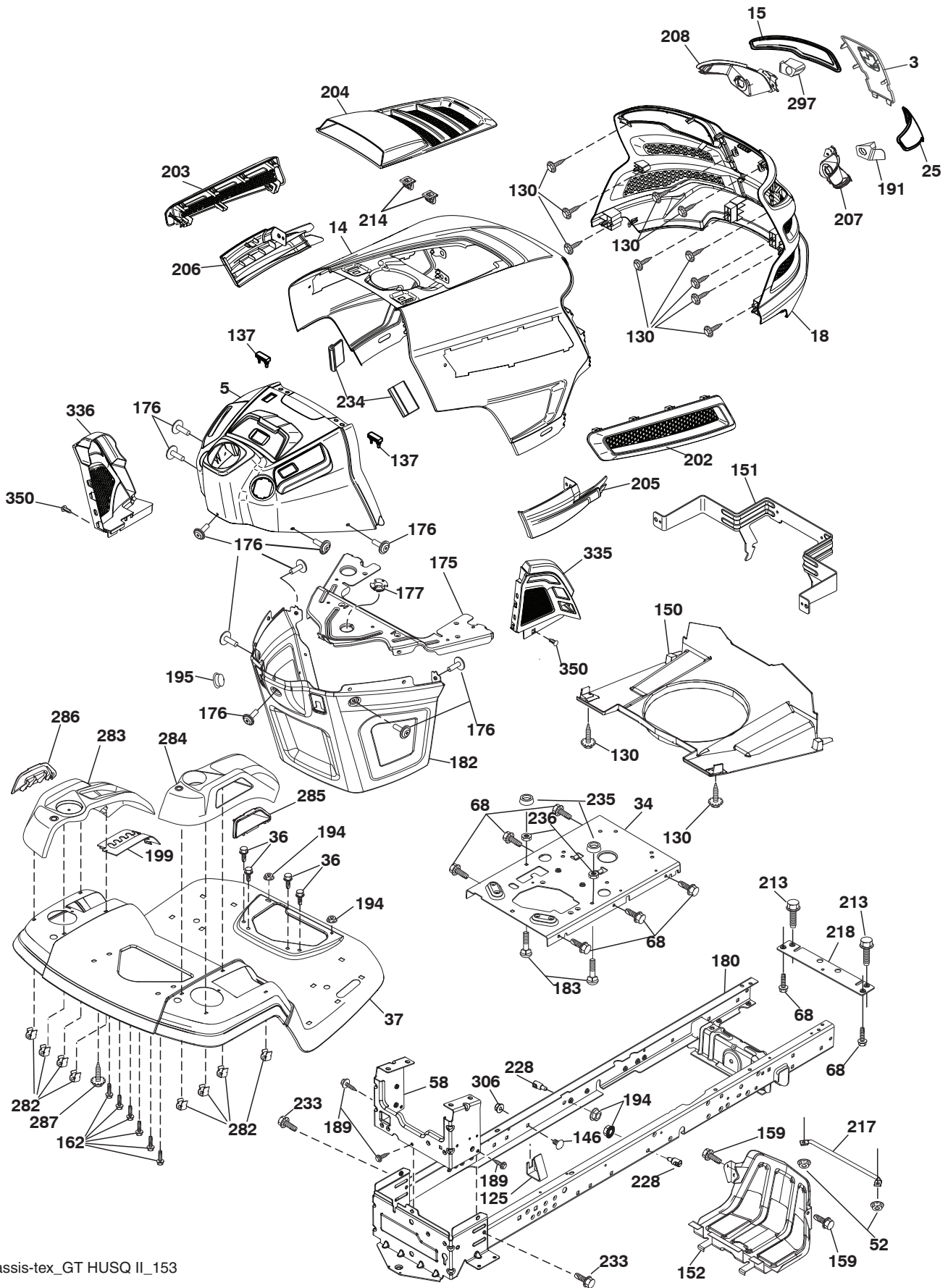
CONNECTEURS
AMOVIBLES

**TRACTEUR - NO. DE MODÈLE YTH25K54 (96048006100), NO. DE PRODUIT 960 48 00-61
ÉLECTRIQUE**

NO. DE RÉF.	NO DE PIÈCE	DESCRIPTION
1	532 16 34-65	Batterie
2	874 76 04-12	Boulon 1/4-20 unc x 3/4
8	532 19 32-28	Bac de batterie
16	532 17 61-38	Interrupteur de verrouillage pressé
21	532 40 02-52	Harnais des prises de courant des phares avec 4152J
22	532 00 41-52	Ampoule N°1156
25	581 49 80-01	Câble de batterie de 6 Ja avec un fil de 16 po. - rouge
26	532 17 51-58	Fusible
27	873 51 04-00	Écrou 1/4-20 unc
28	532 42 16-86	Câble de masse
29	532 40 15-45	Interrupteur
30	532 19 33-50	Contacteur d'allumage
33	532 41 19-35	Clé / chaîne
34	532 11 07-12	L'interrupteur des phares
40	581 02 32-01	Harnais
43	532 19 25-07	Solénoïde
46	532 40 17-63	Compteur horaire
50	532 17 46-51	Interrupteur
55	817 06 05-12	Vis 5/16-18 x 3/4
71	581 02 30-01	Harnais des câbles d'allumage
79	532 17 52-42	Douille ensemble ampoule torsion serure
90	532 43 53-95	Couverture
99	817 67 04-12	Vis H 1/4-20 x 3/4
102	532 40 44-54	Exploiter la Natte K46 Tex ROS
105	532 40 75-68	Interrupteur marche arrière pédale
106	532 17 48-14	Écrou Frein De Type Pal 1/4

REMARQUE: Toutes les dimensions de composant sont données en pouces É.-U. --1 pouce = 25,4 mm

**TRACTEUR - NO. DE MODÈLE YTH25K54 (96048006100), NO. DE PRODUIT 960 48 00-61
CHÂSSIS/ENCEINTES**



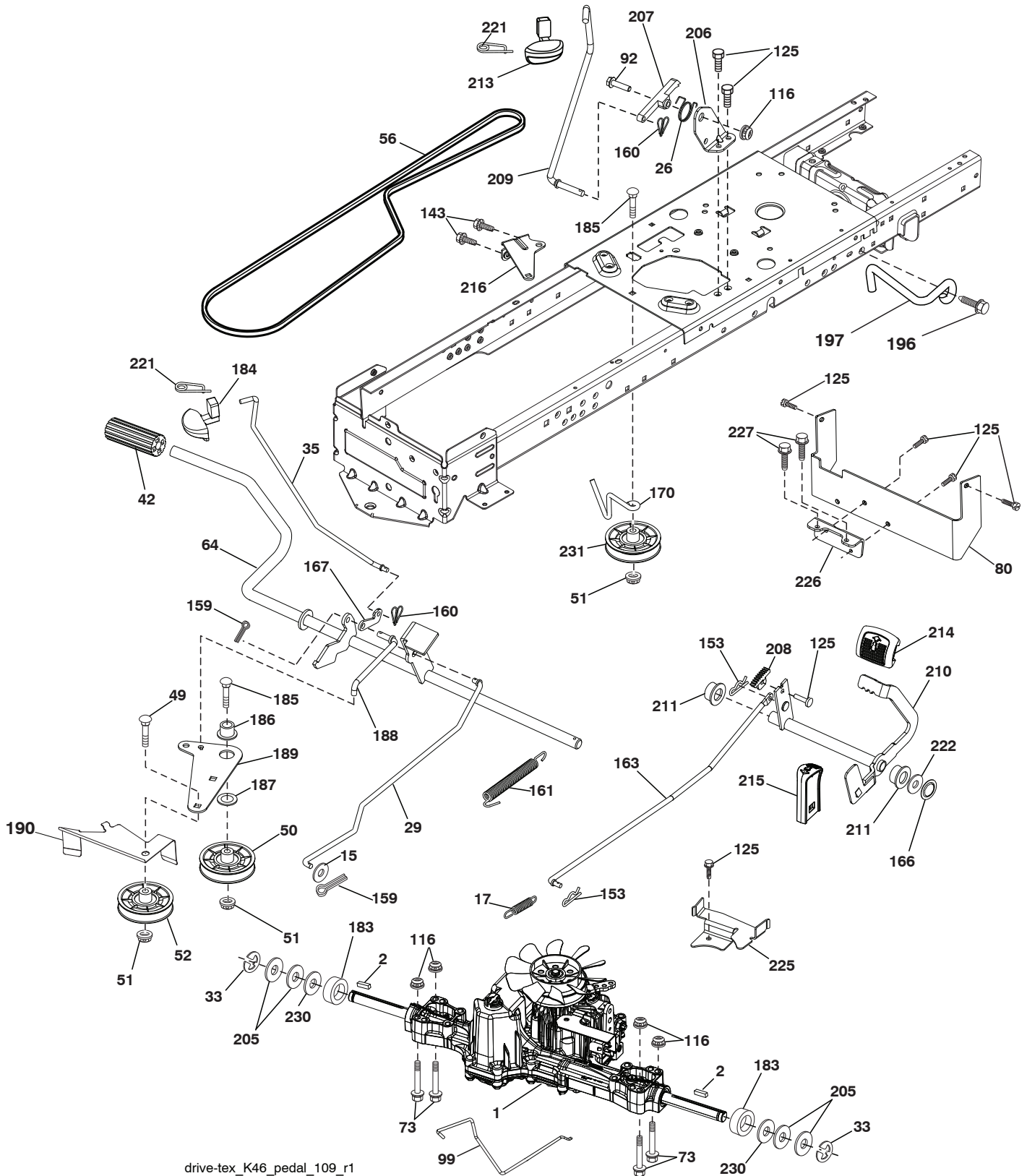
chassis-tex_GT HUSQ II_153

TRACTEUR - NO. DE MODÈLE YTH25K54 (96048006100), NO. DE PRODUIT 960 48 00-61 CHÂSSIS/ENCEINTES

NO. DE RÉF.	NO DE PIÈCE	DESCRIPTION	NO. DE RÉF.	NO DE PIÈCE	DESCRIPTION
3	532 44 44-81	Applique	203	532 43 97-27	Vent C.G
5	532 43 74-80	Tableau de bord	204	532 44 44-84	Ventile sommet
14	532 44 11-77	Capot	205	532 43 97-30	Jupe C.D
15	532 43 97-33	Lentilles C.G.	206	532 43 97-29	Jupe C.G.
18	532 44 06-53	Calandre	207	532 43 97-34	Biseau C.D.
25	532 44 33-85	Lentilles C.D.	208	532 43 97-35	Biseau C.G.
34	580 91 08-01	Plaque de moteur	213	874 76 05-12	Boulon 5/16-18 unc x 3/4
36	817 06 05-12	Vis 5/16 - 18 x 3/4	214	532 19 91-45	Collier de retenue
37	532 44 12-66	Aile	217	532 40 91-67	Tige
52	873 68 05-00	Écrou 5/16-18	218	532 19 63-95	Coussin morceau x pièce
58	532 41 22-80	Support	228	532 19 51-61	Attache De Goujon
68	817 49 05-08	Vis 5/16-18 x 1/2	233	532 19 65-39	Perno de tope
125	581 68 48-01	Support	234	532 40 47-42	Cubierta Capota
130	532 41 63-58	Vis #10 x 0.750	235	532 40 61-29	Pare-chocs plus spatial
137	532 40 75-90	Précipiter le pare-chocs	236	873 93 05-00	Écrou 5/16-18
146	581 85 79-01	Boulon	282	532 41 41-10	Pince
150	532 43 97-74	Canalisation	283	532 43 98-61	Panneau
151	532 43 66-70	Support	284	532 43 98-23	Panneau
152	532 43 98-70	Deflecteur	285	532 41 63-15	Panneau Insert C.D
159	817 00 06-12	Vis 3/8-16 x 3/4	286	523 41 63-17	Panneau Insert C.G
162	532 14 24-32	Vis 1/4 x 1/2	287	817 60 04-06	Vis 1/4-20 x 3/8
175	532 19 63-04	Pièce d'entretoisement	297	532 43 74-56	Insert C.G
176	532 40 07-76	Vis 10-24 x 5/8	306	873 90 06-00	Écrou
177	532 19 52-27	Douille	335	532 44 82-04	Couvercle C.D.
180	532 41 50-63	Châssis	336	532 44 53-09	Couvercle C.G.
182	532 40 68-59	Tableau de bord	350	532 44 51-43	Pince
183	874 52 05-20	Boulon 5/16-18 x 1-1/4	- -	532 40 09-44	Jeu de pare-chocs
189	817 00 05-12	Vis 5/16-18 x 3/4			
191	532 43 74-55	Insert C.D			
194	873 90 05-00	Écrou frein 5/16-18			
195	532 40 41-37	Bouchon			
199	532 41 34-85	Plaque de renforcement			
202	532 43 97-28	Ventile C.D			

REMARQUE: Toutes les dimensions de composant sont données en pouces E.-U. --1 pouce = 25,4 mm

**TRACTEUR - NO. DE MODÈLE YTH25K54 (96048006100), NO. DE PRODUIT 960 48 00-61
ENTRAÎNEMENT**



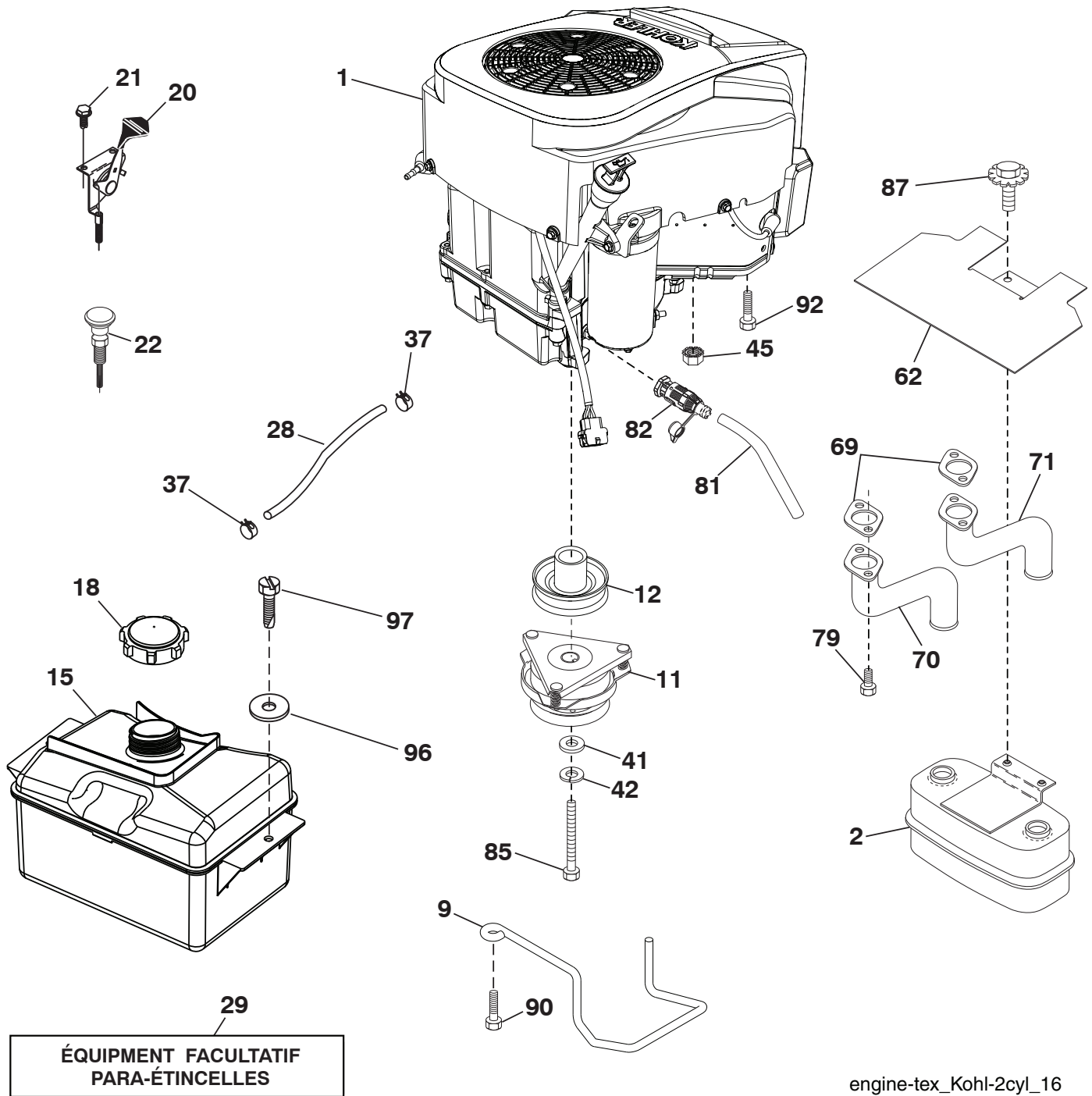
drive-tex_K46_pedal_109_r1

TRACTEUR - NO. DE MODÈLE YTH25K54 (96048006100), NO. DE PRODUIT 960 48 00-61 ENTRAÎNEMENT

NO. DE RÉF.	NO DE PIÈCE	DESCRIPTION	NO. DE RÉF.	NO DE PIÈCE	DESCRIPTION
1	-- -- -- -- --	Transmission TUFFTORQ K46BT (426120) (Commandez le du fabricant du transmission.)	183	532 40 04-24	Entretoise fendue
2	532 12 35-83	Clé	184	532 44 14-55	Guidon
15	819 13 13-16	Rondelle 13/32 x 13/16 x 16 Ja.	185	872 11 06-22	Boulon 3/8-16 x 2-3/4 cat. 5
17	532 41 36-78	Ressort	186	532 19 43-21	Ressort de retenue
26	532 19 96-79	Ressort de rappel	187	819 13 32-10	Rondelle
29	532 40 38-06	Tige du frein	188	532 19 43-23	Raccord d'embrayage
33	812 00 00-01	Bague en E	189	532 19 43-17	Levier coudé
35	583 86 45-01	Tige du frein de stationnement	190	532 19 43-18	Guide
42	532 12 48-72	Couverture de la pédale	196	817 00 06-16	Vis 3/8-16 x 1
49	872 11 06-14	Boulon	197	532 19 58-04	Support
50	532 19 43-27	Poulie du galet-tendeur	205	532 12 17-48	Rondelle
51	873 90 06-00	Écrou frein 3/8-16	206	532 44 85-96	Support
52	532 19 43-26	Galet-tendeur	207	532 19 78-68	Loquet
56	532 13 09-69	Courroie trapézoïdale	208	532 19 78-69	Secteur denté
64	532 19 78-65	Ensemble de l'arbre	209	532 19 95-92	Tige
73	574 49 05-40	Boulon 5/16-18 x 2-1/2 cat. 5	210	532 40 09-80	Culbuteur
80	532 44 06-19	Attache de torison	211	532 12 01-83	Palier de nylon
92	874 76 05-20	Boulon H 5/16-18 unc x 1.25	213	532 40 31-19	Boulon
99	532 41 57-42	Ressort tige de dérivation	214	532 42 12-63	Pédale en avant
116	873 90 05-00	Écrou frein H 5/16-18	215	532 40 17-23	Pédale contraire
125	817 00 05-12	Vis 5/16-18 x 3/4	216	532 19 61-31	Support
143	817 49 05-08	Vis 5/16-18 x 1/2	221	532 40 31-87	Poignée de clip à ressort d'arrêt
153	532 12 47-88	Ressort D'Arrêt	222	879 21 20-10	Rondelle 21/32 x 1/1/4 x 10 Ja
159	876 02 04-12	Goupille fendue 1/8 x 3/4	225	532 40 33-19	Garde De Courroie De Transmission
160	532 16 94-84	Collier de retenue	226	532 40 08-31	Support
161	532 10 57-09	Ressort de rappel d'embrayage	227	817 49 05-12	Vis 5/16-18 x 3/4
163	532 44 82-75	Tige	230	532 18 89-67	Rondelle
166	532 42 91-64	Rondelle Frein .625	231	532 40 72-87	Poulie du galet
167	532 40 52-57	Loquet			
169	874 78 05-72	Boulon 5/16-18 x 4.5 cat. 5			
170	532 41 34-30	Guide-courroie			

REMARQUE: Toutes les dimensions de composant sont données en pouces É.-U. --1 pouce = 25,4 mm

**TRACTEUR - NO. DE MODÈLE YTH25K54 (96048006100), NO. DE PRODUIT 960 48 00-61
MOTEUR**



TRACTEUR - NO. DE MODÈLE YTH25K54 (96048006100), NO. DE PRODUIT 960 48 00-61 MOTEUR

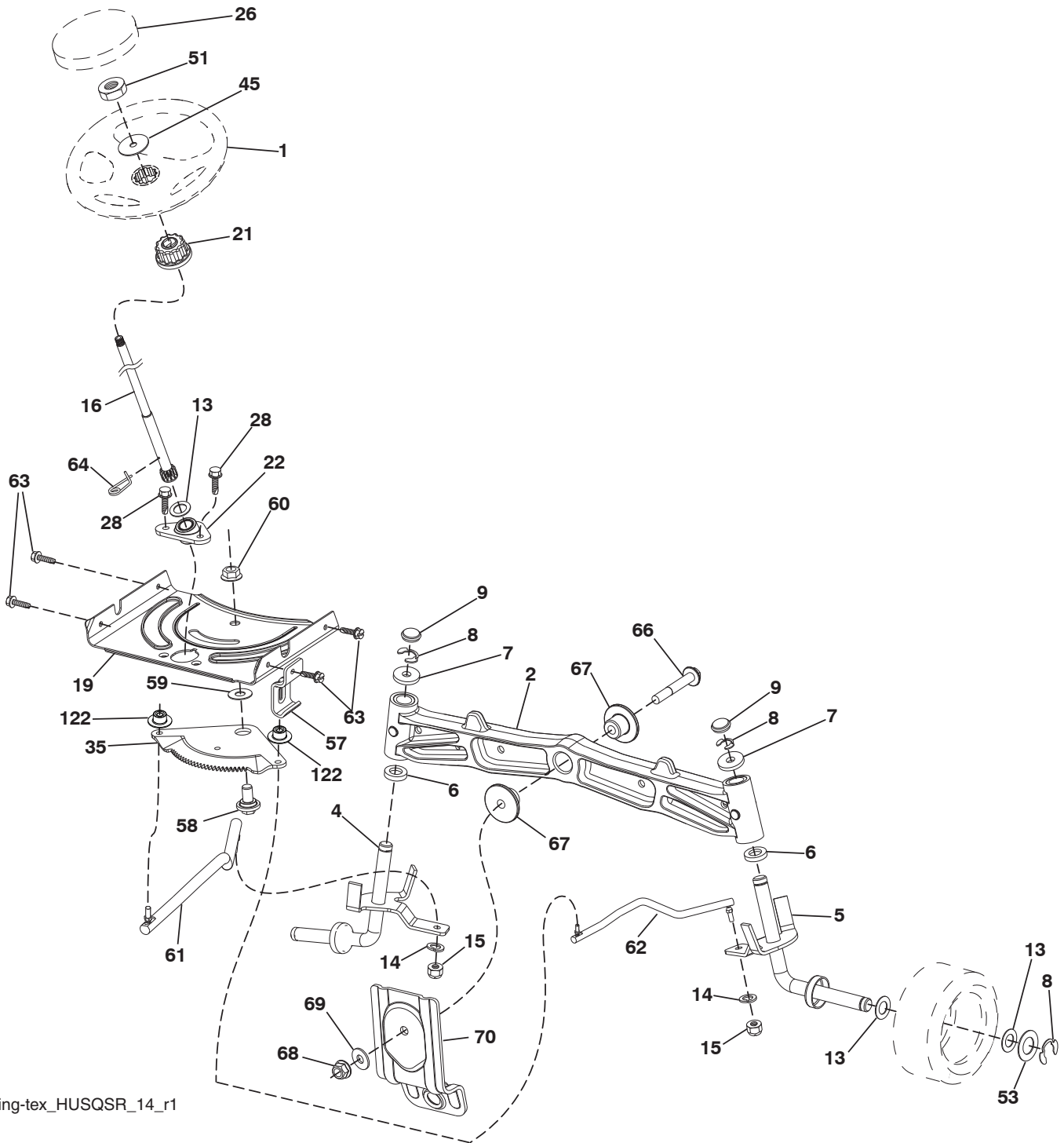
NO. DE RÉF.	NO. DE PIÈCE	DESCRIPTION
1	— — — — —	Moteur Kohl No. de modèle KT740-3014 (585445901) (Commandez le du fabricant du moteur.)
2	532 44 59-62	Silencieux
9	584 90 80-01	Ensemble de la guide courroie du moteur
11	532 40 00-08	Embrayage électrique
12	532 40 50-97	Poulie
15	581 29 01-01	Réservoir d'essence
18	532 43 02-20	Chapeau
20	532 18 29-37	Commande des gaz
21	532 41 63-58	Vis #10 x 0.750
22	532 19 15-96	Commande du starter
28	532 40 11-35	Conduite d'essence
29	532 13 71-80	Jeu de pare - étincelles
37	532 12 34-87	Bride de serrage de tuyau
41	532 12 61-97	Rondelle 1-1/2 OD x 15/32 ID x .250
42	810 04 07-00	Rondelle frein 7/16
45	873 51 04-00	Écrou H 1/4-20 unc
62	532 43 40-17	Défecteur de débris
69	532 18 60-54	Garniture de silencieux
70	583 95 45-01	Tube C.G.
71	583 95 48-01	Tube C.D.
79	532 19 23-34	Vis 5/16-18 x .75
81	532 14 84-56	Tube de vidange d'huile
82	532 42 82-87	Bouchon soupape d'huile
85	532 17 39-37	Boulon H 7/16-20 x 4 cat. 5-1.5
87	532 17 18-77	Boulon 5/16-18 x 3/4
90	817 00 06-16	Vis 3/8-16 x 1
92	817 12 06-16	Vis 3/8-16 x 1
96	819 09 14-16	Rondelle 9/32 x 7/8 x 16 Ja.
97	817 67 04-12	Vis 1/4-20 x 3/4

REMARQUE: Toutes les dimensions de composant sont données en pouce d'E.-U. - - 1 pouce = 25,4 mm.

Pour des pièces de service et de rechange de moteur, réclamez le numéro de téléphone libre pour votre fabricant de moteur énuméré ci-dessous:

Kohler Co. 1-800-544-2444

**TRACTEUR - NO. DE MODÈLE YTH25K54 (96048006100), NO. DE PRODUIT 960 48 00-61
ENSEMBLE DE LA DIRECTION**



steering-tex_HUSQSR_14_r1

**TRACTEUR - NO. DE MODÈLE YTH25K54 (96048006100), NO. DE PRODUIT 960 48 00-61
ENSEMBLE DE LA DIRECTION**

NO. DE RÉF.	NO DE PIÈCE	DESCRIPTION
1	532 43 97-40	Volant de direction
2	532 19 59-68	Essieu
4	532 40 30-87	Ensemble de la broche C.G.
5	532 40 30-88	Ensemble de la broche C.D.
6	532 12 49-31	Palier de butée durci
7	532 12 17-48	Rondelle 25/32 x 1-5/8 x 16 Ja.
8	812 00 00-29	Rondelle clip n°t5304-75
9	532 12 12-32	Chapeau de broche
13	532 12 17-49	Rondelle 25/32 x 1-1/4 x 16 Ja.
14	810 04 06-00	Rondelle frein 3/8
15	873 54 06-00	Écrou frein 3/8-24 unf
16	532 40 82-19	Arbre de direction
19	532 19 47-29	Arbre de plaque
21	532 18 67-37	Adaptateur du volant de direction
22	532 42 05-37	Support du direction
26	532 43 97-43	Insert de chapeau du volant de direction
28	817 00 06-12	Vis 3/8-16 x 3/4
35	532 19 47-32	Secteur denté
45	819 18 38-12	Rondelle 9/16 x 2-3/8 x 12 Ja.
51	873 94 08-00	Contre-écrou 1/2-20 unf
53	532 18 89-67	Rondelle .793 x 1.637 x .060
57	532 19 72-46	Support
58	532 19 47-47	Boulon à épaulement
59	532 19 47-48	Rondelle
60	873 97 10-00	Écrou frein à collet 5/8-11
61	532 19 47-40	Barre de direction C.G.
62	532 19 47-41	Barre de direction C.D.
63	817 00 05-12	Vis 5/16-18 x 3/4
64	532 19 98-49	Collier de retenue
66	871 02 07-48	Boulon H 7/16-14 x 3
67	532 19 47-37	Douille
68	873 90 07-00	Écrou frein à collet 7/16-14 Cat. 5
69	532 19 91-62	Rondelle 1.5 x .505 x .118
70	532 19 61-97	Support
122	532 44 49-62	Chapeau

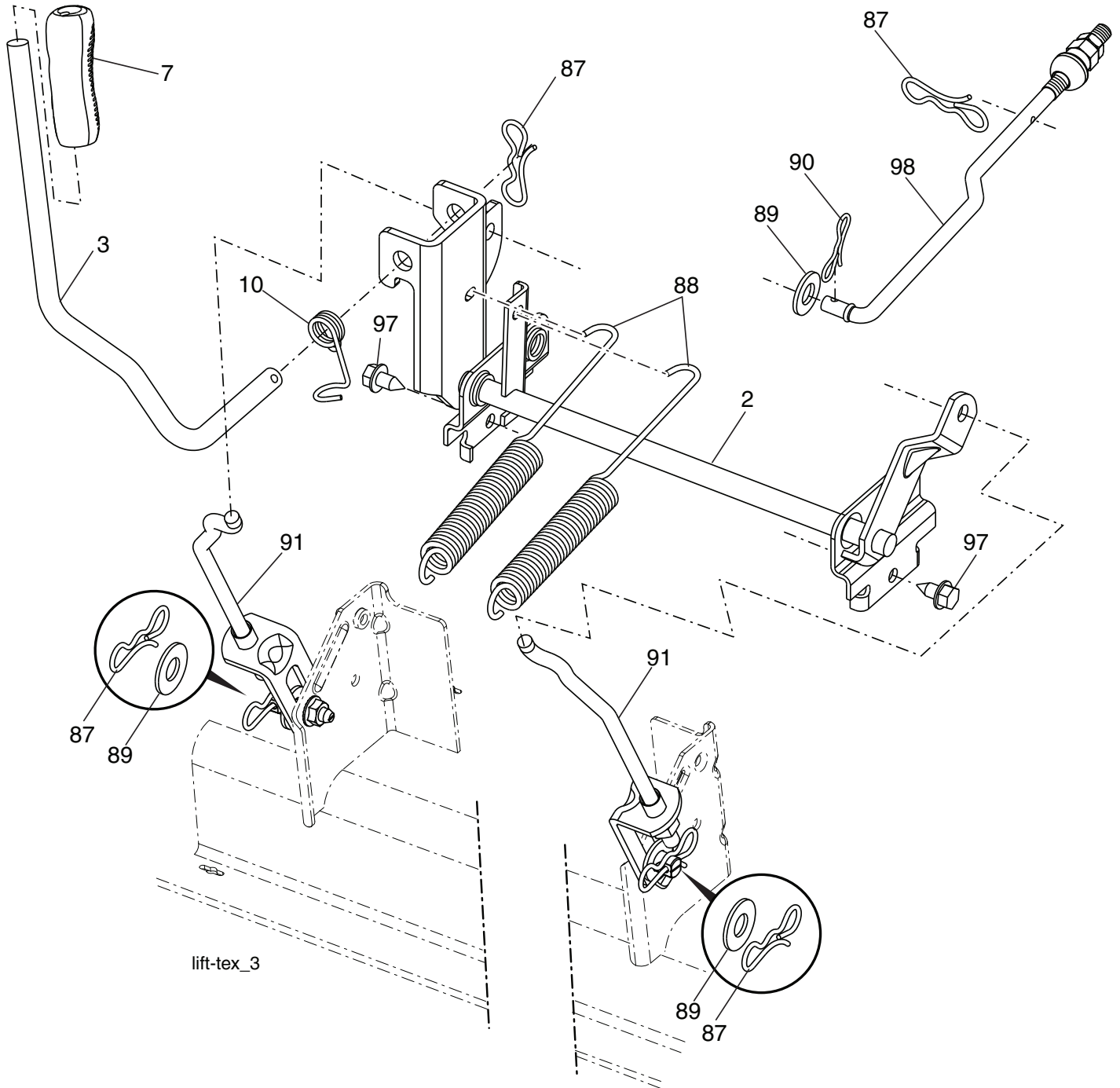
REMARQUE: Toutes les dimensions de composant sont données en pouces É.-U. --1 pouce = 25,4 mm

TRACTEUR - NO. DE MODÈLE YTH25K54 (96048006100), NO. DE PRODUIT 960 48 00-61 CARTER DE TONDEUSE

NO. DE RÉF.	NO DE PIÈCE	DESCRIPTION	NO. DE RÉF.	NO DE PIÈCE	DESCRIPTION
1	532 44 50-61	Ensemble du carter	60	532 18 76-07	Chicane Centrale
6	532 19 60-66	Couvercle de mandrin C.G.	97	532 17 85-15	Rondelle
7	532 19 71-81	Couvercle de mandrin C.D.	98	532 19 61-05	Ressort de retenue
8	532 19 30-03	Boulon 7/16	113	872 11 05-08	Boulon 5/16-18 x 3/4
11	532 18 72-56	Lame de pour mettre en sac	114	532 18 75-56	Tige
--	532 18 72-55	Lame broyeurse	116	532 19 34-06	Boulon
12	532 40 48-51	Barre	117	532 17 48-73	Support des roues
13	532 18 72-91	Ensemble de l'arbre	120	819 13 20-12	Rondelle 13/32 x 1-1/4 x 12 Ja.
14	532 18 72-81	Carter du mandrin	122	532 18 75-57	Douille
15	532 11 04-85	Roulement à billes	184	873 90 05-00	Écrou frein 5/16-18
16	819 13 13-12	Rondelle 3/8	185	873 90 07-00	Écrou frein 7/16-14 Cat. 5
18	872 14 05-05	Boulon 5/16-18 x 5/8	187	532 19 51-61	Tenon
19	532 19 42-08	Goupille fendue 5/16 frein	189	532 19 51-85	Bras de suspension arrière
21	873 68 05-00	Écrou 5/16-18 unc	190	532 19 65-39	Boulon
24	532 10 53-04	Chapeau de manchon	192	532 19 84-68	Guide-courroie du galet-tendeur
25	532 17 81-02	Ressort de torsion	194	874 49 07-36	Boulon 7/16-24 x 2
26	532 11 04-52	Écrou	196	872 14 06-20	Boulon 3/8-16 unc x 2-1/4 Cat. 5
27	532 18 89-38	Défecteur de décharge	197	872 14 05-08	Boulon 5/16-18 unc x 1
29	532 13 14-91	Tige de charnière	241	532 15 29-27	Vis #10-32.5. 3/8
30	532 17 39-84	Vis H	242	532 41 15-98	Raccord de lavage
31	532 18 76-90	Rondelle	--	532 41 64-05	Coupling
32	532 15 35-35	Poulie de mandrin	--	532 18 72-92	Ensemble de mandrin (Inclut boîtier (#14), ensemble arbe (#13), et palier seulement (#15) et Écrou (#33) - poulie/ rondelle et lame, boulon/rondelle ne pas inclut)
33	532 40 02-34	Écrou	--	532 41 82-29	Ensemble du carter de tondeuse complet
34	873 68 06-00	Écrou frein 3/8-16 unc			
39	532 19 73-80	Poulie du galet 4.50			
43	532 19 60-65	Bras du galet-tendeur			
46	532 13 77-29	Vis 1/4-20 x 5/8			
47	532 19 61-03	Courroie d'entraînement			
49	873 90 06-00	Écrou frein 3/8-16 unc			
50	872 11 06-16	Boulon 3/8-16 unc x 2			
52	532 19 73-79	Poulie du galet-tendeur			
58	532 18 73-42	Chicane C.D.			
59	532 18 73-44	Chicane C.G.			

REMARQUE: Toutes les dimensions de composant sont données en pouces É.-U. --1 pouce = 25,4 mm.

**TRACTEUR - NO. DE MODÈLE YTH25K54 (96048006100), NO. DE PRODUIT 960 48 00-61
LEVAGE DE TONDEUSE**

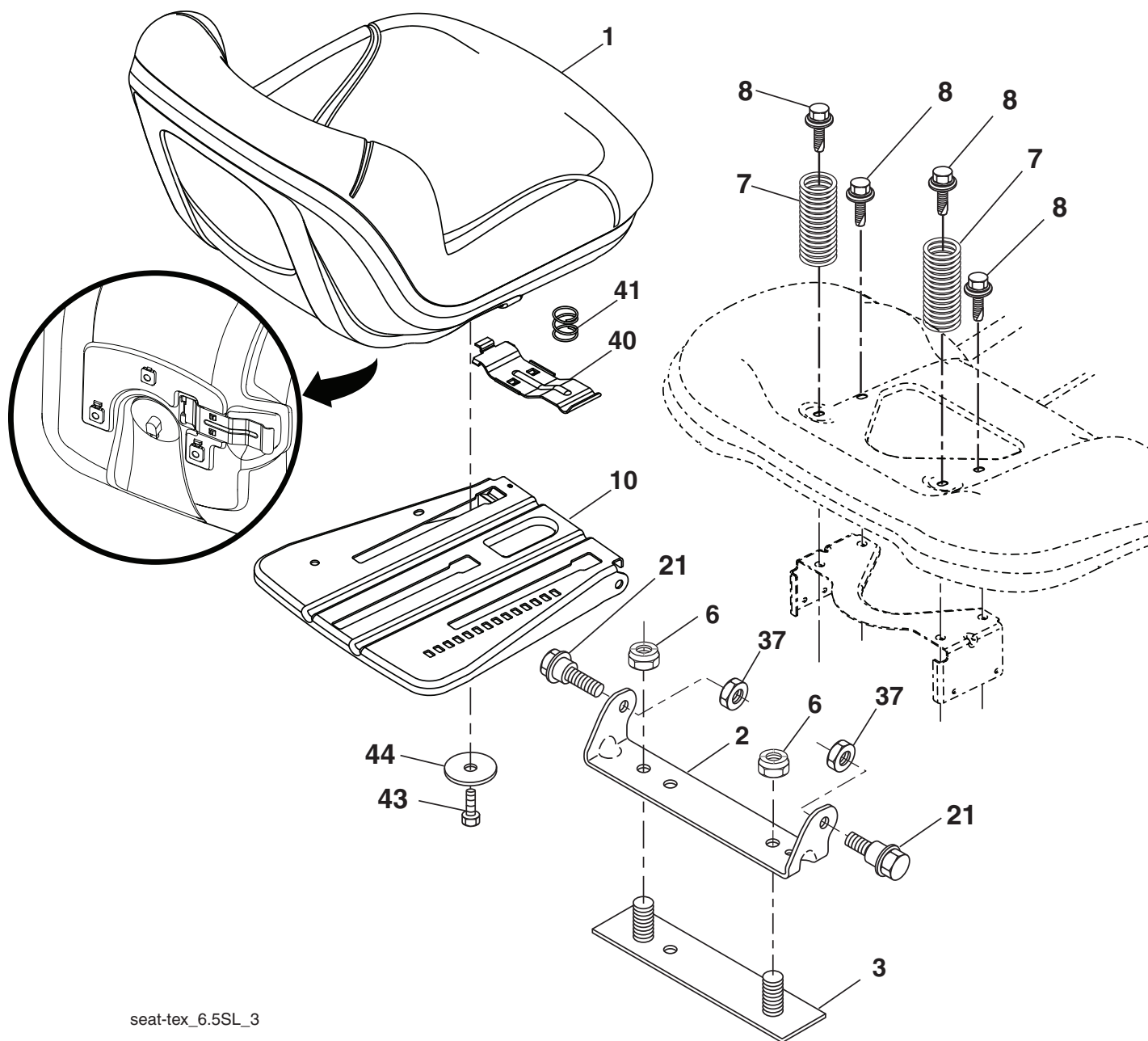


NO. DE RÉF.	NO DE PIÈCE	DESCRIPTION
2	532 42 20-27	Ensemble de l'arbre
3	532 19 52-31	Ensemble de l'arbre de levage C.D.
7	580 96 23-01	Poignée cannelée du levier
10	532 19 63-14	Ressort de Torsion
87	532 19 42-09	Goupille fendue 7/16
88	532 41 07-10	Ressort de retenue
89	819 19 19-12	Rondelle

NO. DE RÉF.	NO DE PIÈCE	DESCRIPTION
90	532 19 42-08	Goupille fendue 5/16
91	532 40 34-07	Raccord de levage
97	817 00 06-12	Vis 3/8-16 x 3/4
98	532 19 52-64	Raccord de levage

REMARQUE: Toutes les dimensions de composant sont données en pouces É.-U. --1 pouce = 25,4 mm.

**TRACTEUR - NO. DE MODÈLE YTH25K54 (96048006100), NO. DE PRODUIT 960 48 00-61
ENSEMBLE DU SIÈGE**



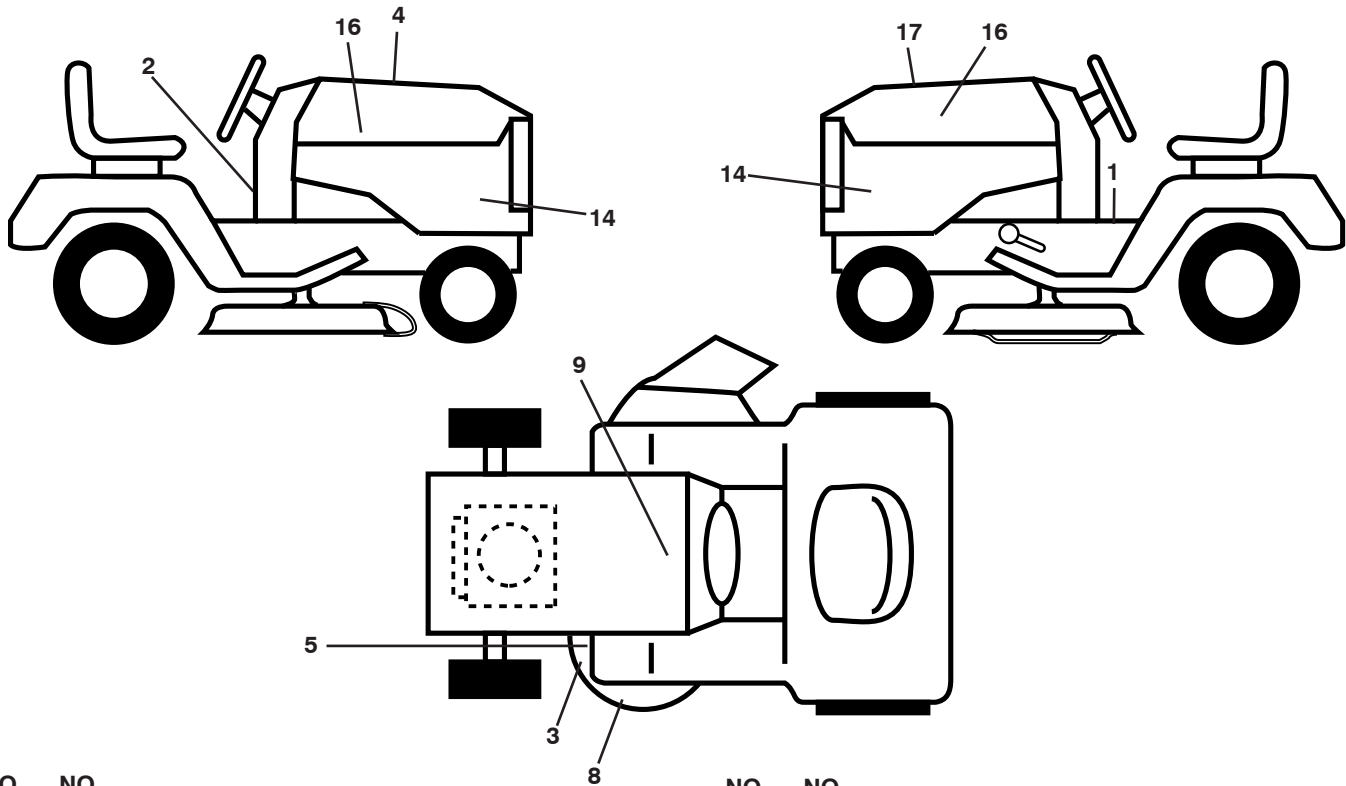
seat-tex_6.5SL_3

NO. DE RÉF.	NO DE PIÈCE	DESCRIPTION
1	532 43 98-22	Siège
2	532 18 01-66	Support de pivot
3	532 14 06-75	Attache de l'ensemble de l'aile
6	873 80 06-00	Écrou frein H avec insert 3/8-16 unc
7	532 12 41-81	Ressort de compression du siège
8	532 17 18-77	Boulon 5/16-18 unc x 3/4
10	532 19 69-77	Cuvette du siège
21	532 17 18-52	Boulon à épaulement 5/16-18
37	873 80 05-00	Écrou frein 5/16-18 unc

NO. DE RÉF.	NO DE PIÈCE	DESCRIPTION
40	532 19 76-61	Guidon
41	532 19 82-00	Ressort de compression
43	874 76 06-12	Boulon 3/8-16 x 3/4
44	819 13 38-12	Rondelle 13/32 x 2-3/8 x 12 Ja.

REMARQUE: Toutes les dimensions de composant sont données en pouces E.-U. --1 pouce = 25,4 mm

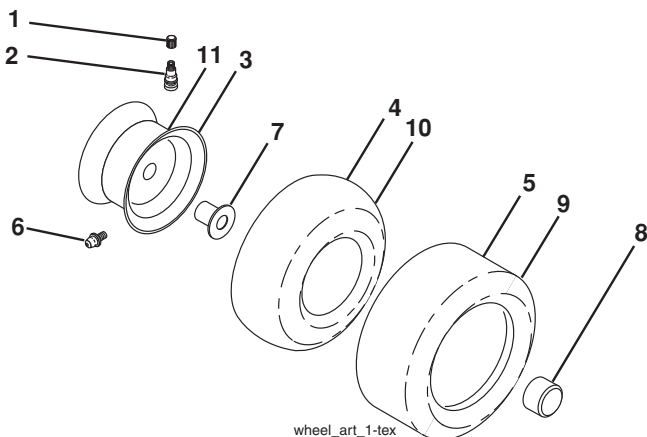
**TRACTEUR - NO. DE MODÈLE YTH25K54 (96048006100), NO. DE PRODUIT 960 48 00-61
DÉCALCOMANIE**



NO. DE RÉF.	NO DE PIÈCE	DESCRIPTION
1	581 57 90-01	Décalcomanie aile avertissement
2	581 57 99-01	Décalcomanie avertissement
3	581 57 95-01	Décalcomanie d'avertissement
4	532 42 38-29	Décalcomanie
5	581 72 45-02	Décalcomanie d'attention
8	581 58 00-02	Décalcomanie de tondeuse
9	532 14 50-05	Décalcomanie de danger/poison de la batterie
14	532 44 57-18	Décalcomanie du panneau latéral
16	581 62 73-01	Décalcomanie du capot

NO. DE RÉF.	NO DE PIÈCE	DESCRIPTION
17	585 79 56-01	Décalcomanie de pièces de rechange
--	581 72 48-01	Décalcomanie dérivation
--	585 71 44-02	Décalcomanie
--	532 43 96-81	Coussin d'repose-pied C.G.
--	532 43 96-82	Coussin d'repose-pied C.D.
--	585 90 94-32	Manuel de L'Opérateur (Anglais/Français)
--	585 90 95-27	Manuel des Pièces de Rechange (Anglais/Français)

ROUES & PNEUS



NO. DE RÉF.	NO DE PIÈCE	DESCRIPTION
1	532 05 91-92	Capuchon de la valve du pneu
2	532 06 51-39	Tubulure de la valve
3	532 13 83-36	Ensemble de la jante antérieure
4	532 05 99-04	Chambre à air antérieure (non fournie)
5	532 10 62-22	Pneu antérieur 15 x 6-6
6	532 12 49-57	Graisseur (roue antérieure seulement)
7	532 12 49-59	Palier à bride (roue antérieure seulement)
8	532 17 50-39	Chapeau de l'essieu
9	532 13 84-68	Pneu arrière 20 x 8-8
10	532 12 49-26	Chambre à air arrière (non fournie)
11	532 13 83-37	Ensemble de la jante arrière
--	532 14 43-34	Joint d'étanchéité de pneu (tube de .30L [10 oz. Tube])

REMARQUE: Toutes les dimensions de composant sont données en pouces É.-U. --1 pouce = 25,4 mm

SERVICE NOTES/REMARQUES D'ENTRETIEN

09/13/2013 TH